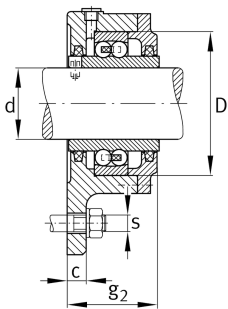
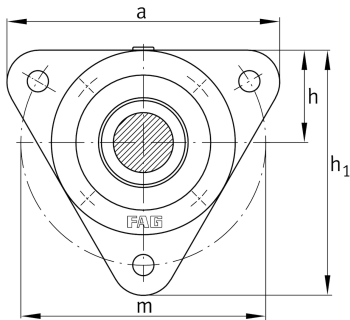


**FAG****F11204** [↗](#)

## Flanged housing

Flanged housing for self-aligning ball bearing 112 with wide inner-ring, felt seal, grease lubrication

## Technical information

**Main Dimensions & Performance Data**

d	20 mm	Shaft diameter
a	105 mm	Flange width
g <sub>2</sub>	42 mm	Total width with cover
h <sub>1</sub>	92 mm	Height flange

≈m 0,702 kg Bec

**Dimensions**

	M10x1	Connection thread for lubrication
c	10 mm	Thickness of flange
D	47 mm	Outside diameter bearing
h	35 mm	Distance shaft axis
m	90 mm	Pitch circle diameter fixing holes
s	M10	Size of fixing screws

**Temperature range**

T <sub>min</sub>	-20 °C	Operating temperature min.
T <sub>max</sub>	100 °C	Operating temperature max.