



FAG

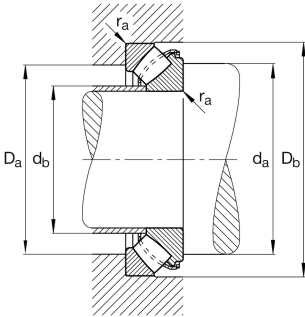
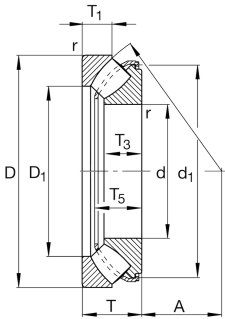
29456-E1-XL-N1-THO

Axial spherical roller bearing

Axial spherical roller bearing 294..-E1-XL, no flanging ring

X-life

Teknik bilgiler



Ваш текущий вариант продукта

Heat treatment	Standard	Standard
Locating feature, housing washer	N1	Locating feature, housing washer
Cage	JP	Sheet metal cage
Handling thread holes	THO	Handling thread holes, housing washer
Constricted width and inclination variation	Standard	Стандарт
Test certificate	Without	

Main Dimensions & Performance Data

d	280 mm	Bore diameter
D	520 mm	Outside diameter
T	145 mm	Height
C _a	5.200.000 N	Basic dynamic load rating, axial
C _{0a}	15.800.000 N	Basic static load rating, axial
C _{ua}	1.500.000 N	Fatigue load limit, axial
n _G	1.230 1/min	Limiting speed
n _{gr}	600 1/min	Reference speed
≈m	124,44 kg	Bec



Mounting dimensions

$d_{a \min}$	395 mm	Minimum diameter shaft shoulder
$D_{a \max}$	446 mm	Maximum diameter of housing shoulder
$D_{b \min}$	530 mm	Minimum bore diameter housing
$d_{b \max}$	320 mm	Maximum distance sleeve
$d_{b1 \max}$	302 mm	Maximum chamfer diameter of distance sleeve
$r_{a \max}$	5 mm	Maximum recess radius
	30 °	Angle of chamfer of the distance sleeve

Dimensions

D_1	372 mm	Bore diameter housing washer
d_1	473,1 mm	Rip diameter shaft washer
r_{\min}	6 mm	Minimum chamfer dimension
T_1	70 mm	Height of the housing washer
T_3	95 mm	Height of the shaft washer
T_5	130,5 mm	Distance shaft washer - cage
A	166 mm	Distance of the center point

Temperature range

T_{\min}	-30 °C	Operating temperature min.
T_{\max}	200 °C	Operating temperature max.



Характеристики



Радиальная нагрузка



Осевая нагрузка в одном направлении



Смазывание пластичной смазкой



Смазывание маслом



Без уплотнений



Крупногабаритный подшипник



Статические угловые и линейные несоосности



Динамические угловые и линейные несоосности