



FAG

**K55206-C-55437-XL-W215FD**

Tapered roller bearing

Tapered roller bearings K-Series, in inch sizes, separable

X-life

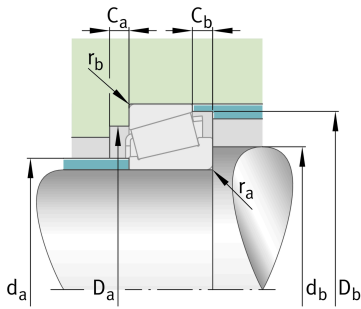
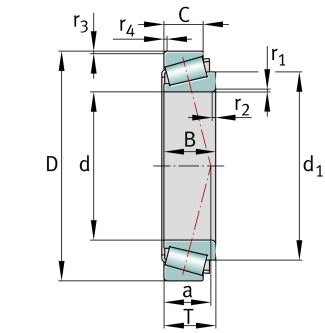
## Teknik bilgiler

## Ваш текущий вариант продукта

Tolerance class	ABMA4	Class 4 (ANSI/ABMA 19.2:2013)
Heat treatment	W215FD	Bainitic hardened
Cage	Standard	Sheet steel cage, window cage, roller-guided
Internal design	Standard	
Quality level	XL	X-life
Number of rows	1	Single-row design

## Main Dimensions &amp; Performance Data

d	52,388 mm	Bore diameter
D	111,125 mm	Outside diameter
B	26,909 mm	Width, inner ring
C	20,638 mm	Width, outer ring
T	30,162 mm	Width, total
C <sub>r</sub>	125.000 N	Basic dynamic load rating, radial
C <sub>0r</sub>	140.000 N	Basic static load rating, radial
C <sub>ur</sub>	22.100 N	Fatigue load limit, radial
n <sub>G</sub>	7.600 1/min	Limiting speed
n <sub>gr</sub>	5.000 1/min	Thermal speed rating
m	2,9 kg	Бec





### Mounting dimensions

$d_{a \max}$	65 mm	Maximum diameter of shaft shoulder
$d_{b \min}$	71 mm	Minimum diameter of shaft shoulder
$D_{a \min}$	92 mm	Minimum diameter of housing shoulder
$D_{a \max}$	100 mm	Maximum diameter of housing shoulder
$D_{b \min}$	105 mm	Minimum diameter of housing shoulder
$C_{a \min}$	4 mm	Minimum axial space
$C_{b \min}$	7 mm	Minimum axial space
$r_{a \max}$	3,6 mm	Maximum fillet radius of shaft
$r_{b \max}$	3,3 mm	Maximum fillet radius of housing

### Dimensions

$r_{1, 2 \min}$	3,6 mm	Minimum chamfer dimension of inner ring back face
$r_{3, 4 \min}$	3,3 mm	Minimum chamfer dimension of outer ring back face
$a$	37 mm	Distance between the apexes of the pressure cones
$d_1$	85,7 mm	Guidance rib diameter of inner ring

### Temperature range

$T_{\min}$	-30 °C	Operating temperature min.
$T_{\max}$	120 °C	Operating temperature max.

### Calculation factors

$e$	0,88	Limiting value of $F_a/F_r$ for the applicability of diff. Values of factors X and Y
$Y$	0,68	Dynamic axial load factor
$Y_0$	0,37	Static axial load factor



## Характеристики



Радиальная нагрузка



Осевая нагрузка в одном направлении



Смазывание пластичной смазкой



Смазывание маслом



Без уплотнений