



FAG

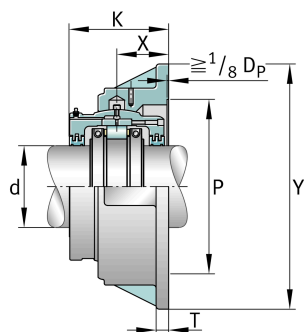
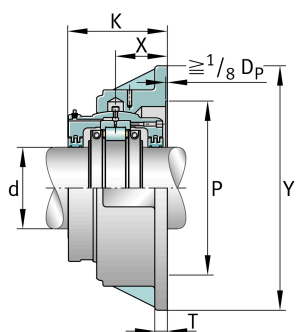
S2BCF-60MM-HD [↗](#)

Узел стационарного корпуса

Фланцевый корпус



Техническая информация



Основные размеры и рабочие характеристики

| | | |
|----|------------|-------------------------|
| d | 60 mm | Shaft diameter |
| Y | 285,75 mm | Flange outside diameter |
| K | 136,525 mm | Width |
| ≈m | 22,226 kg | Вес |

Габаритные размеры

| | | |
|---|---------------|-----------------------------|
| | S2BCF-60MM-HD | Complete unit held |
| | S2BCF-60MM-FL | Complete unit float |
| | FH-4 | Housing designation |
| X | 73,025 mm | Bearing centerline location |
| Z | 242,887 mm | Bolt circle diameter |
| S | 171,45 mm | Bolt hole distance |
| T | 15,875 mm | Thickness of flange |
| P | 192,087 mm | Pilot counterbore diameter |
| S | 4 | # of Mounting Bolts |
| S | 12,7 mm | Mounting bolt diameter |