



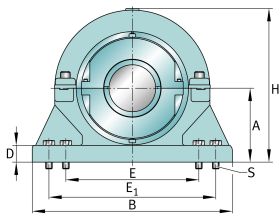
FAG

S3BCH-1000-FL [↗](#)

Узел стационарного корпуса

FAG split cylindrical roller bearing housing

Техническая информация



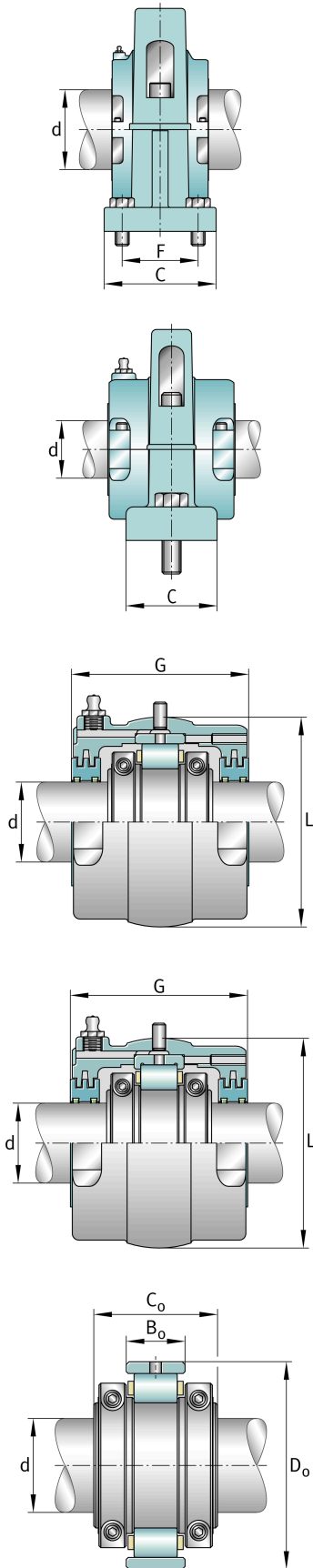
Основные размеры и рабочие характеристики

d	10 in	Shaft diameter
H	31 in	Housing height
B	36 in	Length base
≈m	1.889,996 lbs	Bec



Габаритные размеры

	S3BCH-1000-FL	Complete unit float
	S3BCH-1000-HD	Complete unit held
	PH-315	Housing designation
A	15,5 in	Center height
C	16 in	Base width
D	3 in	Base height
E _{min}	25,625 in	Base hole distance 1 min
E _{max}	27,125 in	Base hole distance 1 max
F	12 in	Base hole distance 2
s	4	# of mounting bolts
s	1,75 in	Mounting bolt diameter
	S3BC-1000-FL	Cartridge float bearing
	S3BC-1000-HD	Cartridge held bearing
	S3C-1000	Cartridge
G	13,188 in	Lenght through bore
L	22 in	Outside diameter cartridge
	18 lbs	Grease capacity
	747 lbs	Cartridge weight
	S3B-1000-FL	Bearing float
	S3B-1000-HD	Bearing held
	347 lbs	Bearing weight
	1000 Grp	Bearing Group
C _r	366.755 lbf	Динамическая грузоподъемность, радиальная
C _{0r}	592.566 lbf	Статическая грузоподъемность, радиальная
C _a	17.823 lbf	Динамическая грузоподъемность, осевая
	920 1/min	Limiting speed
D ₀	19 in	Outside diameter bearing
C ₀	8,307 in	Width inner ring
B ₀	4,906 in	Width outer ring





Просмотреть сведения о продукте на medias

11.07.2026, 02:18:22 UTC

SCHAEFFLER

