



FAG

S2BCH-900-FL [↗](#)

Узел стационарного корпуса

FAG split cylindrical roller bearing housing

Техническая информация



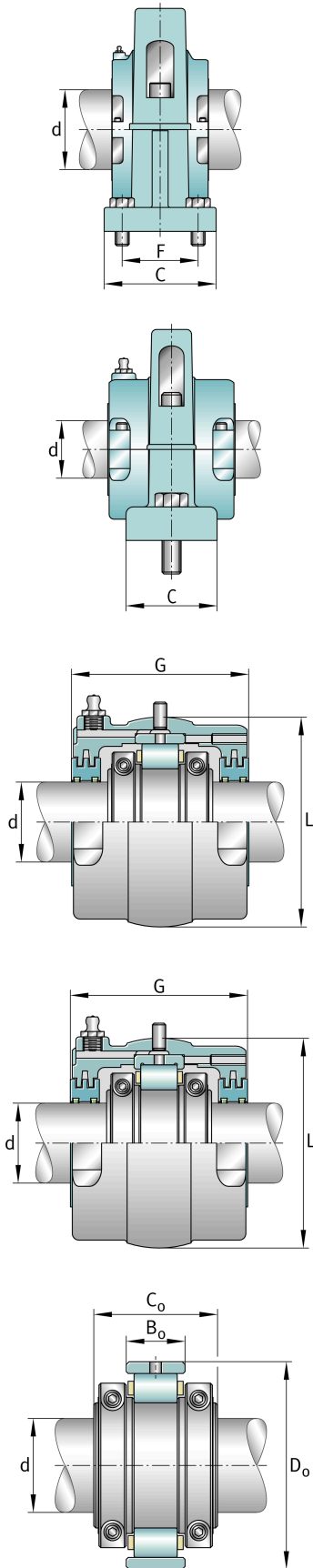
Основные размеры и рабочие характеристики

d	9 in	Shaft diameter
H	25,25 in	Housing height
B	29,5 in	Length base
≈m	806,999 lbs	Bec



Габаритные размеры

	S2BCH-900-FL	Complete unit float
	S2BCH-900-HD	Complete unit held
	PH-25	Housing designation
A	12,75 in	Center height
C	11 in	Base width
D	2 in	Base height
E _{min}	20,875 in	Base hole distance 1 min
E _{min}	22,375 in	Base hole distance 1 max
F	7,5 in	Base hole distance 2
s	4	# of mounting bolts
s	1,5 in	Mounting bolt diameter
	S2BC-900-FL	Cartridge float bearing
	S2BC-900-HD	Cartridge held bearing
	S2C-900	Cartridge
G	10,812 in	Length through bore
L	18 in	Outside diameter cartridge
	8 lbs	Grease capacity
	363,9 lbs	Cartridge weight
	S2B-900-FL	Bearing float
	S2B-900-HD	Bearing held
	148 lbs	Bearing weight
	900 Grp	Bearing group
C _r	216.837 lbf	Динамическая грузоподъемность, радиальная
C _{0r}	371.687 lbf	Статическая грузоподъемность, радиальная
C _a	13.051 lbf	Динамическая грузоподъемность, осевая
	1.091 1/min	Limiting speed
D ₀	15,5 in	Outside diameter bearing
C ₀	6,402 in	Width inner ring
B ₀	3,563 in	Width outer ring





Просмотреть сведения о продукте на medias

26.05.2026, 04:29:35 UTC

SCHAEFFLER

