



FAG

S2BCH-508-FL [↗](#)

Узел стационарного корпуса

FAG split cylindrical roller bearing housing

Техническая информация



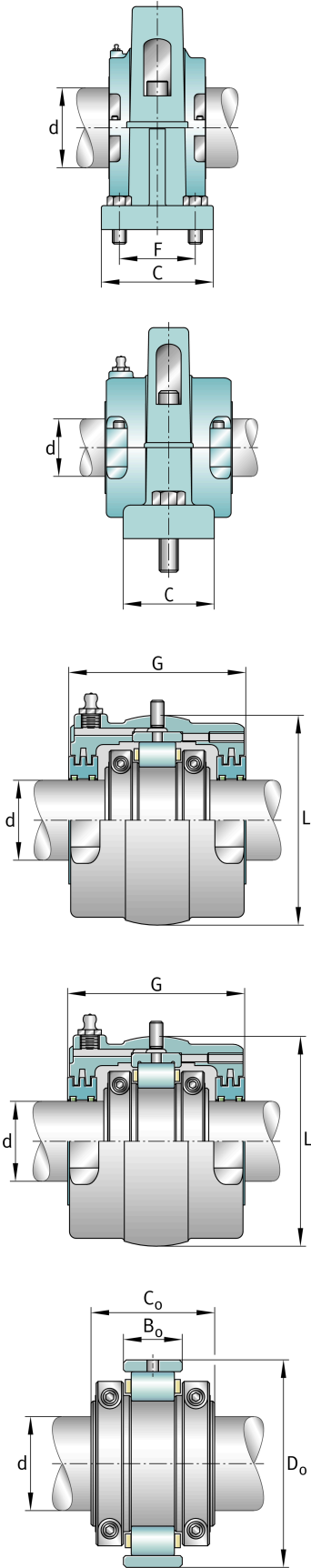
Основные размеры и рабочие характеристики

d	5,5 in	Shaft diameter
H	18 in	Housing height
B	24 in	Length base
≈m	319,998 lbs	Bec



Габаритные размеры

	S2BCH-508-FL	Complete unit float
	S2BCH-508-HD	Complete unit held
	PH-20	Housing designation
A	8 in	Center height
C	7 in	Base width
D	2 in	Base height
E _{min}	21 in	Base hole distance 1 min
E _{min}	22 in	Base hole distance 1 max
F	4,75 in	Base hole distance 2
s	4	# of mounting bolts
s	1 in	Mounting bolt diameter
	S2BC-508-FL	Cartridge float bearing
	S2BC-508-HD	Cartridge held bearing
	S2C-508	Cartridge
G	7,375 in	Length through bore
L	12,75 in	Outside diameter cartridge
	3 lbs	Grease capacity
	138,3 lbs	Cartridge weight
	S2B-508-FL	Bearing float
	S2B-508-HD	Bearing held
	58,3 lbs	Bearing weight
	508 Grp	Bearing group
C _r	133.700 lbf	Динамическая грузоподъемность, радиальная
C _{0r}	197.779 lbf	Статическая грузоподъемность, радиальная
C _a	1.060 lbf	Динамическая грузоподъемность, осевая
	1.630 1/min	Limiting speed
D ₀	10,75 in	Outside diameter bearing
C ₀	4,625 in	Width inner ring
B ₀	2,625 in	Width outer ring





Просмотреть сведения о продукте на medias

10.06.2026, 09:44:04 UTC

SCHAEFFLER

