

FAG

S2BCH-300-FL [↗](#)

Узел стационарного корпуса

FAG split cylindrical roller bearing housing

Техническая информация



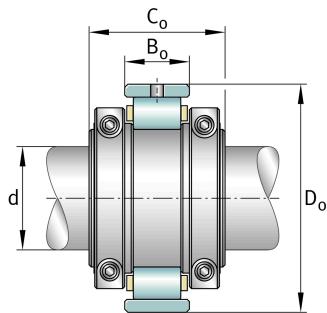
Основные размеры и рабочие характеристики

d	3 in	Shaft diameter
H	10,062 in	Housing height
B	15 in	Length base
≈m	74 lbs	Bec



Габаритные размеры

	S2BCH-300-FL	Complete unit float
	S2BCH-300-HD	Complete unit held
	PH-5	Housing designation
A	4,406 in	Center height
C	5,5 in	Base width
D	1,75 in	Base height
E _{min}	12,375 in	Base hole distance 1 min
E _{min}	13,375 in	Base hole distance 1 max
F	3,5 in	Base hole distance 2
s	4	# of mounting bolts
s	0,75 in	Mounting bolt diameter
	S2BC-300-FL	Cartridge float bearing
	S2BC-300-HD	Cartridge held bearing
	S2C-300	Cartridge
G	5,5 in	Length through bore
L	7 in	Outside diameter cartridge
	656,1 lbs	Grease capacity
	34 lbs	Cartridge weight
	S2B-300-FL	Bearing float
	S2B-300-HD	Bearing held
	12,1 lbs	Bearing weight
	300 Grp	Bearing group
C _r	45.440 lbf	Динамическая грузоподъемность, радиальная
C _{0r}	59.277 lbf	Статическая грузоподъемность, радиальная
C _a	561 lbf	Динамическая грузоподъемность, осевая
	2.930 1/min	Limiting speed
D ₀	5,875 in	Outside diameter bearing
C ₀	3,25 in	Width inner ring
B ₀	1,813 in	Width outer ring





Просмотреть сведения о продукте на medias

10.07.2026, 16:46:31 UTC

SCHAEFFLER

