



FAG

S1BCH-500-FL [↗](#)

Узел стационарного корпуса

FAG split cylindrical roller bearing housing

Техническая информация



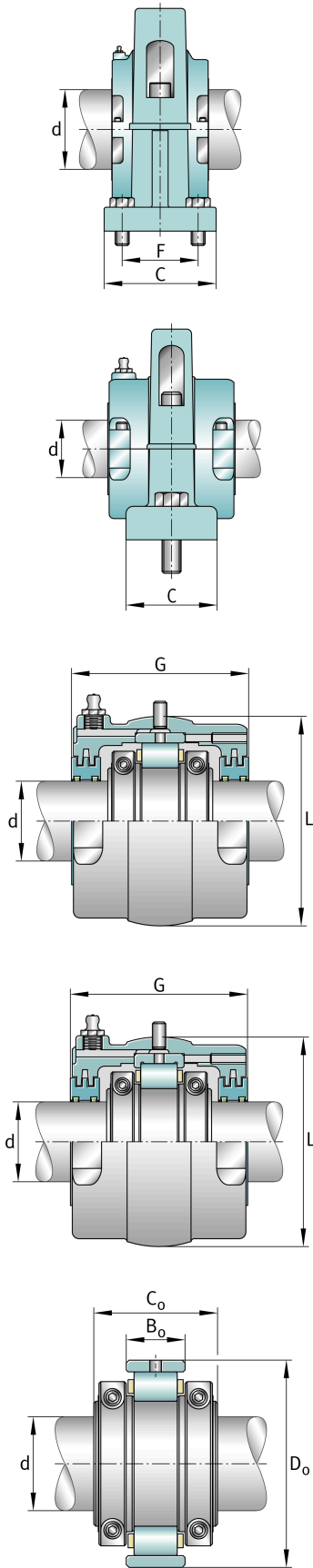
Основные размеры и рабочие характеристики

d	5 in	Shaft diameter
B	20 in	Length base
H	14 in	Housing height
≈m	175,9 lbs	Bec



Габаритные размеры

	S1BCH-500-FL	Complete unit float
	S1BCH-500-HD	Complete unit held
	PH-8	Housing designation
A	6,375 in	Center height
C	7 in	Base width
D	1,5 in	Base height
E _{min}	17,25 in	Base hole distance 1 min
E _{max}	18,188 in	Base hole distance 1 max
F	4,75 in	Base hole distance 2
S	4	# of mounting bolts
S	0,875 in	Mounting bolt diameter
	S1BC-500-FL	Cartridge float bearing
	S1BC-500-HD	Cartridge held bearing
	S1C-500	Cartridge
G	6,062 in	Length through bore
L	10,5 in	Outside diameter cartridge
	1,4 lbs	Grease capacity
	71,7 lbs	Cartridge weight
	S1B-500-FL	Bearing float
	S1B-500-HD	Bearing held
	25,5 lbs	Bearing weight
	500 Grp	Housing group
C _r	72.333 lbf	Динамическая грузоподъемность, радиальная
C _{0r}	110.644 lbf	Статическая грузоподъемность, радиальная
C _a	680 lbf	Динамическая грузоподъемность, осевая
	1.940 1/min	Limiting speed
D ₀	8,75 in	Outside diameter bearing
C ₀	3,531 in	Width inner ring
B ₀	2,125 in	Width outer ring





Просмотреть сведения о продукте на medias

26.05.2026, 13:20:39 UTC

SCHAEFFLER

