



FAG

### S1BCH-408-FL [↗](#)

Узел стационарного корпуса

FAG split cylindrical roller bearing housing

## Техническая информация



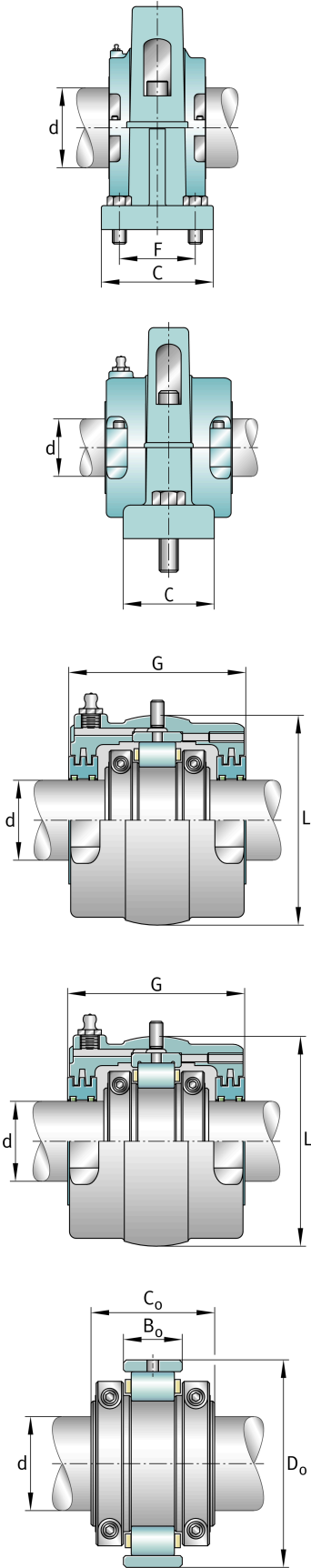
### Основные размеры и рабочие характеристики

d	4,5 in	Shaft diameter
B	18,75 in	Length base
H	12,375 in	Housing height
≈m	110 lbs	Bec



**Габаритные размеры**

	S1BCH-408-FL	Complete unit float
	S1BCH-408-HD	Complete unit held
	PH-7	Housing designation
A	5,625 in	Center height
C	6,75 in	Base width
D	2,375 in	Base height
E <sub>min</sub>	15,75 in	Base hole distance 1 min
E <sub>max</sub>	16,688 in	Base hole distance 1 max
F	4,5 in	Base hole distance 2
S	4	# of mounting bolts
S	0,75 in	Mounting bolt diameter
	S1BC-408-FL	Cartridge float bearing
	S1BC-408-HD	Cartridge held bearing
	S1C-408	Cartridge
G	5,562 in	Length through bore
L	9,125 in	Outside diameter cartridge
	1,2 lbs	Grease capacity
	48,6 lbs	Cartridge weight
	S1B-408-FL	Bearing float
	S1B-408-HD	Bearing held
	20,8 lbs	Bearing weight
	408 Grp	Housing group
C <sub>r</sub>	62.784 lbf	Динамическая грузоподъемность, радиальная
C <sub>0r</sub>	93.994 lbf	Статическая грузоподъемность, радиальная
C <sub>a</sub>	650 lbf	Динамическая грузоподъемность, осевая
	2.140 1/min	Limiting speed
D <sub>0</sub>	8 in	Outside diameter bearing
C <sub>0</sub>	3,342 in	Width inner ring
B <sub>0</sub>	1,844 in	Width outer ring





Просмотреть сведения о продукте на medias

26.05.2026, 08:41:19 UTC

SCHAEFFLER

