

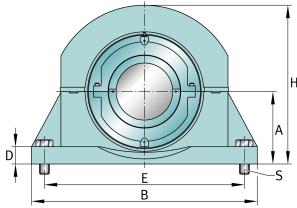
FAG

### S1BCH-400-FL-2B [↗](#)

Узел стационарного корпуса

FAG split cylindrical roller bearing housing

## Техническая информация



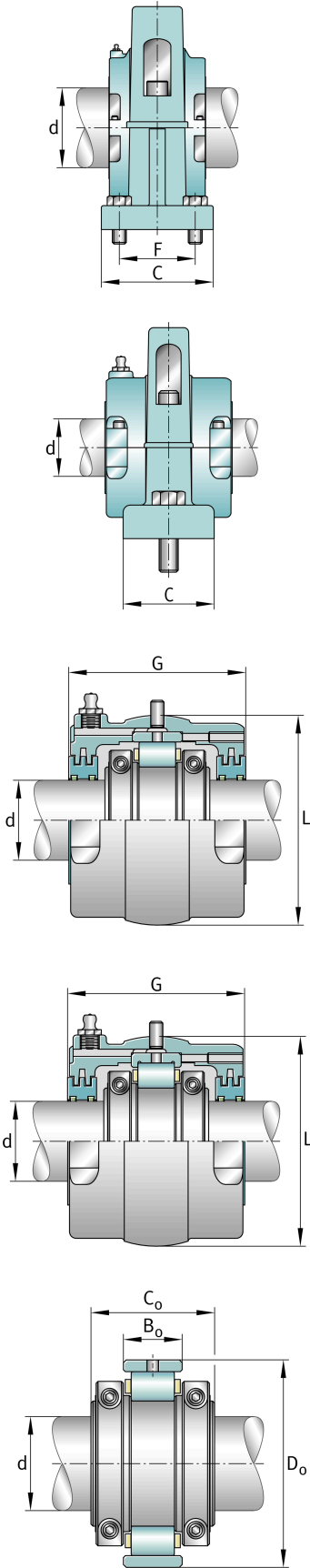
### Основные размеры и рабочие характеристики

d	4 in	Shaft diameter
B	16,75 in	Length base
H	10,75 in	Housing height
≈m	75,2 lbs	Bec



**Габаритные размеры**

	S1BCH-400-FL-2B	Complete unit float
	S1BCH-400-HD-2B	Complete unit held
	PH-6-2B	Housing designation
A	4,938 in	Center height
C	4,25 in	Base width
D	2 in	Base height
E <sub>min</sub>	13,5 in	Base hole distance 1 min
E <sub>max</sub>	14,875 in	Base hole distance 1 max
S	2	# of mounting bolts
S	0,75 in	Mounting bolt diameter
	S1BC-400-FL	Cartridge float bearing
	S1BC-400-HD	Cartridge held bearing
	S1C-400	Cartridge
G	5,188 in	Length through bore
L	8 in	Outside diameter cartridge
	781 lbs	Grease capacity
	32,3 lbs	Cartridge weight
	S1B-400-FL	Bearing float
	S1B-400-HD	Bearing held
	13,9 lbs	Bearing weight
	400 Grp	Housing group
C <sub>r</sub>	50.872 lbf	Динамическая грузоподъемность, радиальная
C <sub>0r</sub>	72.572 lbf	Статическая грузоподъемность, радиальная
C <sub>a</sub>	548 lbf	Динамическая грузоподъемность, осевая
	2.400 1/min	Limiting speed
D <sub>0</sub>	6,875 in	Outside diameter bearing
C <sub>0</sub>	3,188 in	Width inner ring
B <sub>0</sub>	1,781 in	Width outer ring





Просмотреть сведения о продукте на medias

10.07.2026, 18:50:44 UTC

SCHAEFFLER

