



FAG

S2BCH-170MM-HD [↗](#)

Узел стационарного корпуса

FAG split cylindrical roller bearing housing

Техническая информация



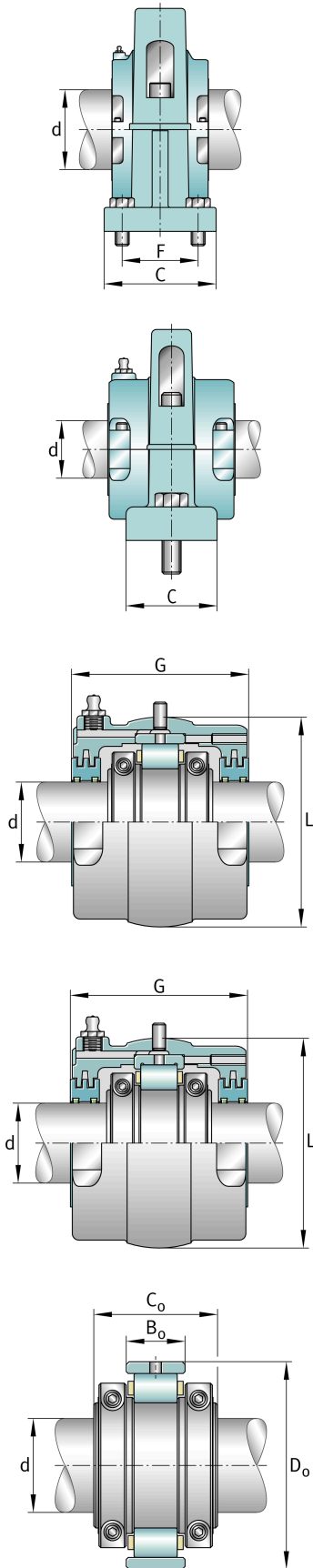
Основные размеры и рабочие характеристики

| | | |
|----|------------|----------------|
| d | 170 mm | Shaft diameter |
| H | 533,4 mm | Housing height |
| B | 596,9 mm | Length base |
| ≈m | 184,612 kg | Вес |



Габаритные размеры

| | | | |
|------------------|-----------------|---|------------------|
| | S2BCH-170MM-FL | Complete unit float | |
| | S2BCH-170MM-HD | Complete unit held | |
| | PH-22 | Housing designation | |
| A | 266,7 mm | Center height | |
| C | 241,3 mm | Base width | |
| D | 44,45 mm | Base height | |
| E _{min} | 428,625 mm | Base hole distance 1 min | |
| E _{min} | 466,725 mm | Base hole distance 1 max | |
| F | 171,45 mm | Base hole distance 2 | |
| s | 4 | # of mounting bolts | |
| s | 31,75 mm | Mounting bolt diameter | |
| | S2BC-170MM-FL | Cartridge float bearing | |
| | S2BC-170MM-HD | Cartridge held bearing | |
| | S2C-608 | Cartridge | |
| G | 231,775 mm | Length through bore | |
| L | 368,3 mm | Outside diameter cartridge | |
| | | 1,451 kg | Grease capacity |
| | | 104,735 kg | Cartridge weight |
| | S2B-170MM-FL | Bearing float | |
| | S2B-170MM-HD | Bearing held | |
| | | 42,411 kg | Bearing weight |
| | 608 Grp | Bearing group | |
| C _r | 694.866,56 N | Динамическая грузоподъемность, радиальная | |
| C _{0r} | 1.057.547,584 N | Статическая грузоподъемность, радиальная | |
| C _a | 48.514,336 N | Динамическая грузоподъемность, осевая | |
| | 1.407 1/min | Limiting speed | |
| D ₀ | 317,5 mm | Outside diameter bearing | |
| C ₀ | 139,7 mm | Width inner ring | |
| B ₀ | 83,337 mm | Width outer ring | |





Просмотреть сведения о продукте на medias

26.05.2026, 18:04:03 UTC

SCHAEFFLER

