



**FAG**

### S1BCH-40MM-HD [↗](#)

Узел стационарного корпуса

FAG split cylindrical roller bearing housing



## Техническая информация



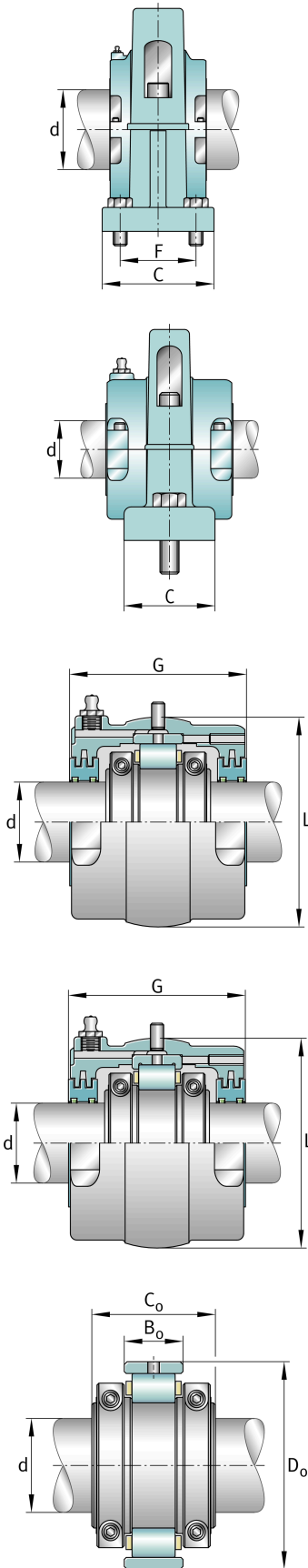
### Основные размеры и рабочие характеристики

|    |          |                |
|----|----------|----------------|
| d  | 40 mm    | Shaft diameter |
| B  | 228,6 mm | Length base    |
| H  | 139,7 mm | Housing height |
| ≈m | 5,012 kg | Bec            |



**Габаритные размеры**

|                  |               |   |
|------------------|---------------|---|
|                  | S1BCH-40MM-FL | Complete unit float                       |
|                  | S1BCH-40MM-HD | Complete unit held                        |
|                  | PH-1          | Housing designation                       |
| A                | 60,325 mm     | Center height                             |
| C                | 60,325 mm     | Base width                                |
| D                | 22,225 mm     | Base height                               |
| E <sub>min</sub> | 171,45 mm     | Base hole distance 1 min                  |
| E <sub>max</sub> | 190,5 mm      | Base hole distance 1 max                  |
| S                | 2             | # of mounting bolts                       |
| S                | 12,7 mm       | Mounting bolt diameter                    |
|                  | S1BC-40MM-FL  | Cartridge float bearing                   |
|                  | S1BC-40MM-HD  | Cartridge held bearing                    |
|                  | S1C-108       | Cartridge                                 |
| G                | 84,137 mm     | Length through bore                       |
| L                | 100,012 mm    | Outside diameter cartridge                |
|                  | 56,654 kg     | Grease capacity                           |
|                  | 3,13 kg       | Cartridge weight                          |
|                  | S1B-40MM-FL   | Bearing float                             |
|                  | S1B-40MM-HD   | Bearing held                              |
|                  | 1,043 kg      | Bearing weight                            |
|                  | 108 Grp       | Housing group                             |
| C <sub>r</sub>   | 61.280,096 N  | Динамическая грузоподъемность, радиальная |
| C <sub>0r</sub>  | 68.748,288 N  | Статическая грузоподъемность, радиальная  |
| C <sub>a</sub>   | 1.258,784 N   | Динамическая грузоподъемность, осевая     |
|                  | 5.420 1/min   | Limiting speed                            |
| D <sub>0</sub>   | 84,15 mm      | Outside diameter bearing                  |
| C <sub>0</sub>   | 50,089 mm     | Width inner ring                          |
| B <sub>0</sub>   | 23,825 mm     | Width outer ring                          |





Просмотреть сведения о продукте на medias

10.06.2026, 10:37:53 UTC

SCHAEFFLER

