

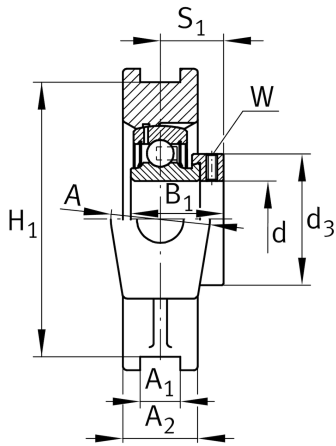
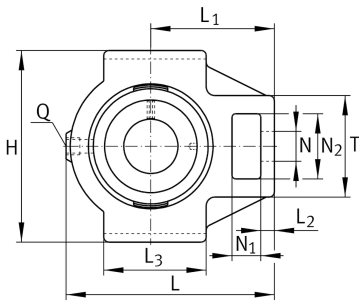
**PTUE40-XL**

## Take-up housing unit

Take-up housing units PTUE, cast iron housing, radial insert ball bearing with eccentric locking collar, P seals

X-life

## Teknik bilgiler



## Ваш текущий вариант продукта

Material	GG	Grey cast iron
----------	----	----------------

## Main Dimensions &amp; Performance Data

d	40 mm	Bore diameter
---	-------	---------------

H	115 mm	Height
---	--------	--------

L	141 mm	Length total
---	--------	--------------

B <sub>1</sub>	43,8 mm	Locking collar total width
----------------	---------	----------------------------

m	2,43 kg	Bec
---	---------	-----

## Mounting dimensions

A <sub>1</sub>	16 mm	Width guidance groove
----------------	-------	-----------------------

H <sub>13</sub>		Width guidance groove clearance
-----------------	--	---------------------------------

H <sub>1</sub>	102 mm	Distance guidance grooves
----------------	--------	---------------------------

	0,15 mm	Upper distance guidance groove tolerance
--	---------	--

	-0,15 mm	Lower distance guidance groove tolerance
--	----------	--

N	29 mm	Fixing bore
---	-------	-------------



### Dimensions

L <sub>1</sub>	88 mm	Distance shaft axis
L <sub>2</sub>	16 mm	Length fixed link
L <sub>3</sub>	82 mm	Length guidance groove
A	50 mm	Width housing fixing side
N <sub>1</sub>	20 mm	Width recess
N <sub>2</sub>	49 mm	Height recess
S <sub>1</sub>	32,8 mm	Distance of raceway to locking collar
T	82 mm	Height housing fixing side
Q	M6	Connection thread for lubrication
A <sub>2</sub>	35 mm	Width housing

### Additional information

TUE08	Housing
GRAE40-XL-NPP-B	Bearing designation

### Temperature range

T <sub>min</sub>	-20 °C	Operating temperature min.
T <sub>max</sub>	120 °C	Operating temperature max.