



**FAG**

**LS1528**

Bearing washer

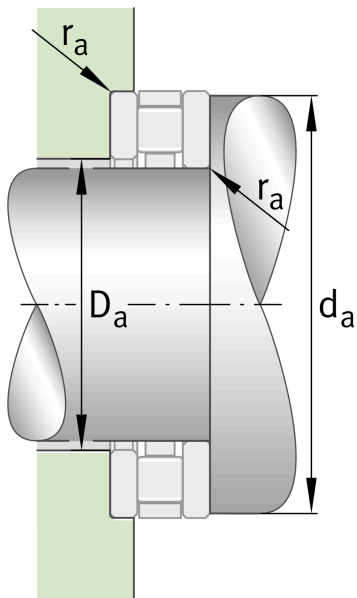
Bearing washers, suitable for AXK and K811

Technical information



**Main Dimensions & Performance Data**

d	15 mm	Bore diameter track washer
D	28 mm	Outside diameter track washer
B	2,75 mm	Width
	45 °	Chamfer Angle
a min	0,5 mm	Chamfer width
≈m	10 g	Weight





View product details on medias

26.06.2026, 21:34:58 KST

SCHAEFFLER

