



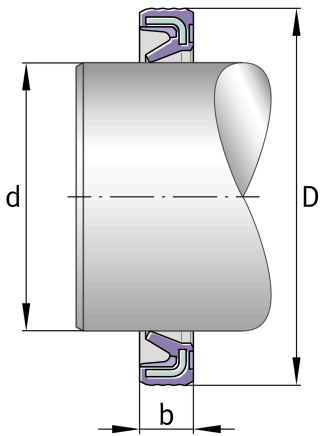
G19X27X4 [↗](#)

Radial rotary shaft seal

Single lip sealing ring G



Техническая информация



Ihre aktuelle Produktvariante

Sealing	NBR
---------	-----

Main Dimensions & Performance Data

D	27 mm	Outside diameter
---	-------	------------------

≈m	2,122 g	Gewicht
----	---------	---------

Main dimensions

B	4 mm	Width
---	------	-------