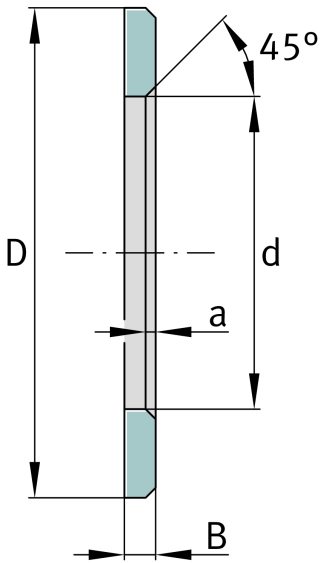


LS6085

Bearing washer

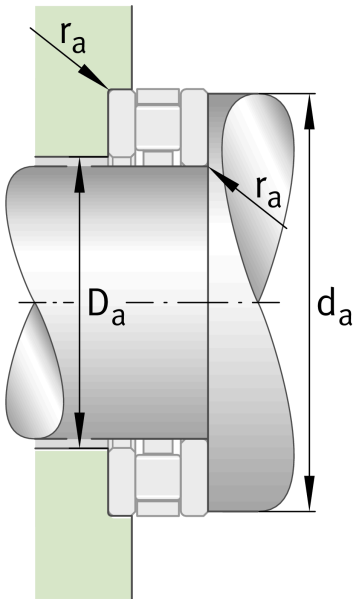
Bearing washers, suitable for AXK and K811

Technical information



Main Dimensions & Performance Data

d	60 mm	Bore diameter track washer
D	85 mm	Outside diameter track washer
B	4,75 mm	Width
	45 °	Chamfer Angle
a min	1,5 mm	Chamfer width
≈m	0,097 kg	Weight





View product details on medias

26.06.2026, 20:30:28 KST

SCHAEFFLER

