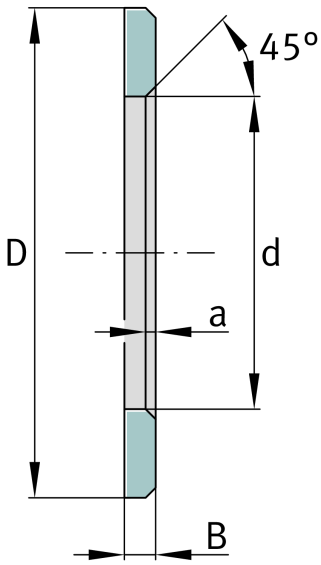


LS5578

Bearing washer

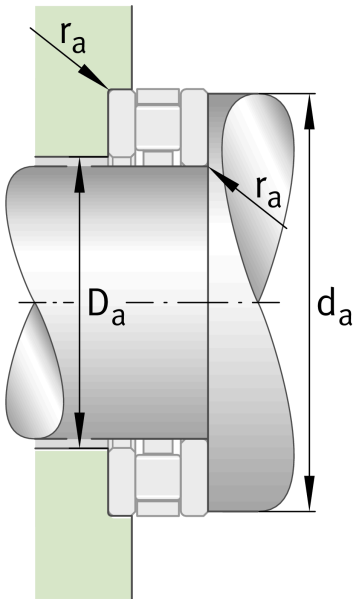
Bearing washers, suitable for AXK and K811

Technical information



Main Dimensions & Performance Data

d	55 mm	Bore diameter track washer
D	78 mm	Outside diameter track washer
B	5 mm	Width
	45 °	Chamfer Angle
a min	1 mm	Chamfer width
≈m	88,2 g	Weight





View product details on medias

26.06.2026, 21:35:58 KST

SCHAEFFLER

