

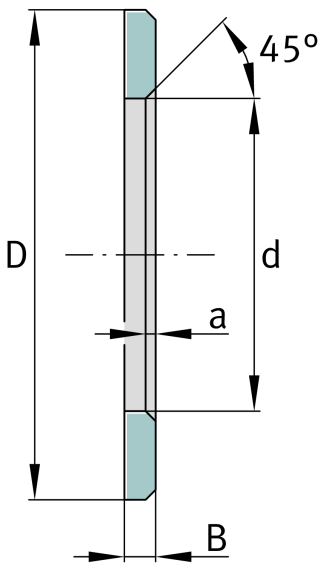


LS4060

Bearing washer

Bearing washers, suitable for AXK and K811

Technical information



Main Dimensions & Performance Data

d	40 mm	Bore diameter track washer
D	60 mm	Outside diameter track washer
B	3,5 mm	Width
	45 °	Chamfer Angle
a min	1 mm	Chamfer width
≈m	39,42 g	Weight





View product details on medias

26.06.2026, 20:21:11 KST

SCHAEFFLER

