



LS120155

Bearing washer

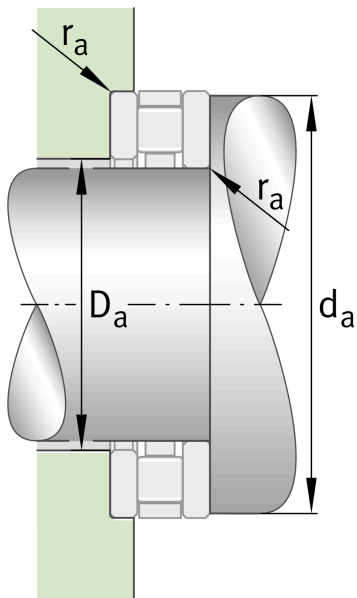
Bearing washers, suitable for AXK and K811

Technical information



Main Dimensions & Performance Data

d	120 mm	Bore diameter track washer
D	155 mm	Outside diameter track washer
B	7 mm	Width
	45 °	Chamfer Angle
a min	1,5 mm	Chamfer width
≈m	393 g	Weight





View product details on medias

27.06.2026, 01:33:15 KST

SCHAEFFLER

