

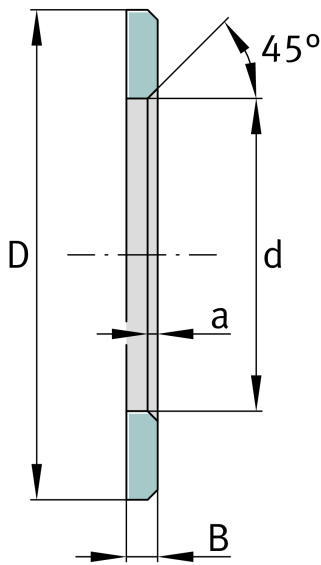


LS110145

Bearing washer

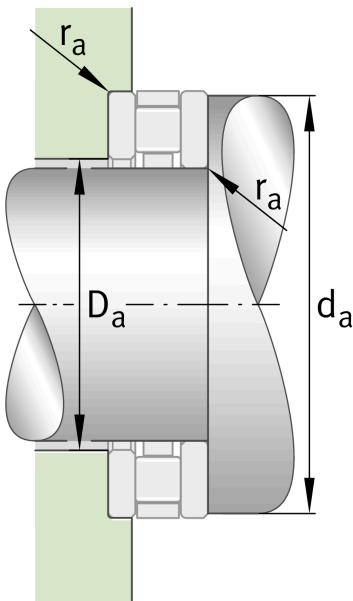
Bearing washers, suitable for AXK and K811

Technical information



Main Dimensions & Performance Data

d	110 mm	Bore diameter track washer
D	145 mm	Outside diameter track washer
B	7 mm	Width
	45 °	Chamfer Angle
a min	1,5 mm	Chamfer width
≈m	0,362 kg	Weight





View product details on medias

26.06.2026, 19:07:27 KST

SCHAEFFLER

