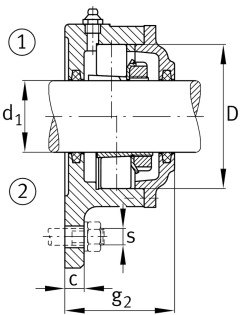
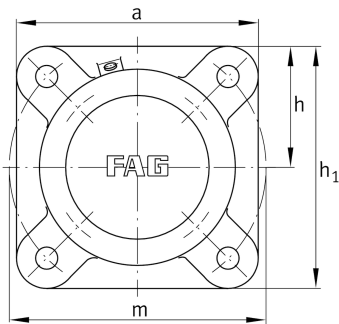


**FAG****F517-B-L**

## Flanged housing

Flanged housing for various bearing types,  
with conical bore and clamping sleeve,  
continuous shaft

## Technical information

**Main Dimensions & Performance Data**

d <sub>1</sub>	75 mm	Shaft diameter
a	210 mm	Flange width
h <sub>1</sub>	210 mm	Height flange
g <sub>2</sub>	114 mm	Total width with lid g <sub>2</sub>
	4	Number of fastening holes
≈m	12 kg	Weight

**Dimensions**

	M10x1	Connection thread for lubrication
c	25 mm	Thickness of flange
D	150 mm	Outside diameter bearing
g <sub>4</sub>	31 mm	Distance flange to bearing seat
h	105 mm	Distance shaft axis
m	240 mm	Pich circle diameter fixing holes
s	M16	Size of fixing screws