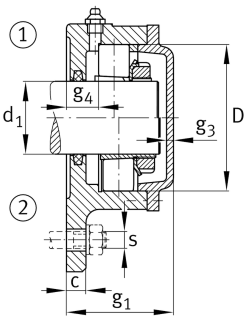
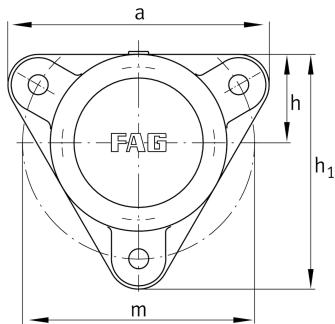


**FAG****F510-A-L**

## Flanged housing

Flanged housing for various bearing types,  
with conical bore and clamping sleeve, closed  
on one side

## Technical information

**Main Dimensions & Performance Data**

$d_1$	45 mm	Shaft diameter
a	180 mm	Flange width
$h_1$	160 mm	Height flange
	3	Number of fastening holes
$\approx m$	3,3 kg	Weight

**Dimensions**

	M10x1	Connection thread for lubrication
c	15 mm	Thickness of flange
D	90 mm	Outside diameter bearing
$g_4$	20 mm	Distance flange to bearing seat
h	60 mm	Distance shaft axis
m	160 mm	Pich circle diameter fixing holes
s	M12	Size of fixing screws