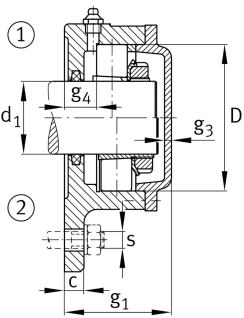
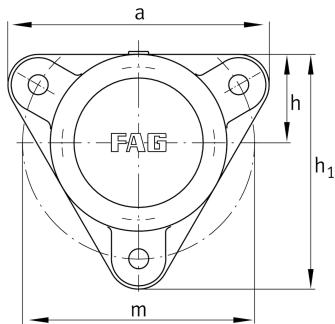


**FAG****F508-WA-L**

Flanged housing

Flanged housing for various bearing types,  
wide version with conical bore and clamping  
sleeve, closed on one side

## Technical information

**Main Dimensions & Performance Data**

$d_1$	35 mm	Shaft diameter
$a$	160 mm	Flange width
$h_1$	143 mm	Height flange
	3	Number of fastening holes
$\approx m$	2,9 kg	Weight

**Dimensions**

	M10x1	Connection thread for lubrication
$c$	12 mm	Thickness of flange
$D$	80 mm	Outside diameter bearing
$g_4$	22 mm	Distance flange to bearing seat
$h$	54 mm	Distance shaft axis
$m$	140 mm	Pich circle diameter fixing holes
$s$	M12	Size of fixing screws