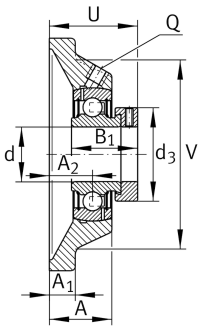
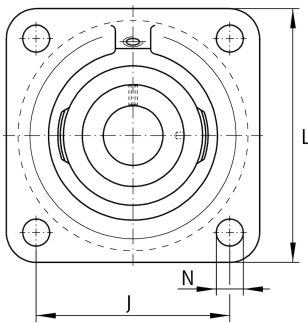


**PCJ50-TV-FA125.5** [↗](#)

Flanged housing unit

Flanged housing unit PCJ...-TV

Technical information

**Your current product variant**

Material	TV	Plastic
Manufacturing instruction	FA125	Unit with Corrotect coating, corrosion-resistant

Main Dimensions & Performance Data

d	50 mm	Bore diameter
L	143 mm	Flange width
U	57,8 mm	Total height unit
C _r	34.000 N	Basic dynamic load rating, radial
C _{0r}	20.800 N	Basic static load rating, radial
C _{0rG}	19.600 N	Load carrying capacity (housing)
≈m	1,32 kg	Weight

Mounting dimensions

J	111 mm	Distance fixing bore
N	17 mm	Fixing bore
n	4	Number of screwing holes



Dimensions

A	43 mm	Height housing
A ₁	21 mm	Thickness of flange
A ₂	25 mm	Distance raceway
V	115 mm	Shoulder diameter housing
Q	1/4-28 UNF	Connection thread for lubrication
d ₃	69 mm	Outside diameter locking device

Additional information

1	Number of housings
GEH.CJ10-TV-HLA	Housing
GRAE50-NPP-B-FA107/125.5	Bearing designation
KASK10	Protecting cap

Temperature range

T _{min}	-35 °C	Operating temperature min.
T _{max}	100 °C	Operating temperature max.