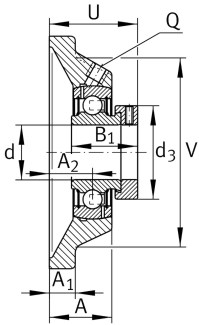
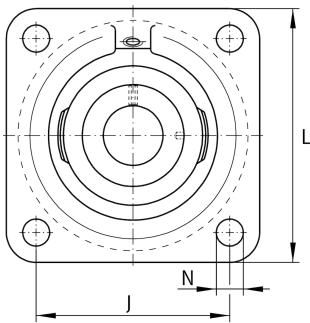


**PCJ25-TV-FA125.5** [↗](#)

Flanged housing unit

Flanged housing unit PCJ...-TV

## Technical information

**Your current product variant**

|                           |         |                                 |
|---------------------------|---------|---------------------------------|
| Material                  | TV      | Plastic                         |
| Manufacturing instruction | FA125.5 | Bearing with Corroctect coating |

**Main Dimensions & Performance Data**

|                   |          |                                   |
|-------------------|----------|-----------------------------------|
| d                 | 25 mm    | Bore diameter                     |
| L                 | 94,5 mm  | Flange width                      |
| U                 | 40,5 mm  | Total height unit                 |
| C <sub>r</sub>    | 13.700 N | Basic dynamic load rating, radial |
| C <sub>0r</sub>   | 7.100 N  | Basic static load rating, radial  |
| C <sub>0r G</sub> | 12.100 N | Load carrying capacity (housing)  |
| ≈m                | 0,39 kg  | Weight                            |

**Mounting dimensions**

|   |       |                          |
|---|-------|--------------------------|
| J | 70 mm | Distance fixing bore     |
| N | 11 mm | Fixing bore              |
| n | 4     | Number of screwing holes |



### Dimensions

|                |            |                                   |
|----------------|------------|-----------------------------------|
| A              | 27,9 mm    | Height housing                    |
| A <sub>1</sub> | 14,3 mm    | Thickness of flange               |
| A <sub>2</sub> | 17 mm      | Distance raceway                  |
| V              | 70 mm      | Shoulder diameter housing         |
| Q              | 1/4-28 UNF | Connection thread for lubrication |
| d <sub>3</sub> | 37,5 mm    | Outside diameter locking device   |

### Additional information

|                          |                     |
|--------------------------|---------------------|
| 1                        | Number of housings  |
| GEH.CJ05-TV-HLA          | Housing             |
| GRAE25-NPP-B-FA107/125.5 | Bearing designation |
| KASK05                   | Protecting cap      |

### Temperature range

|                  |        |                            |
|------------------|--------|----------------------------|
| T <sub>min</sub> | -35 °C | Operating temperature min. |
| T <sub>max</sub> | 100 °C | Operating temperature max. |