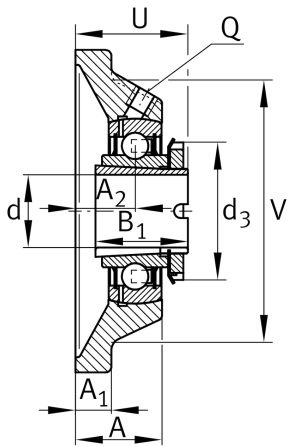
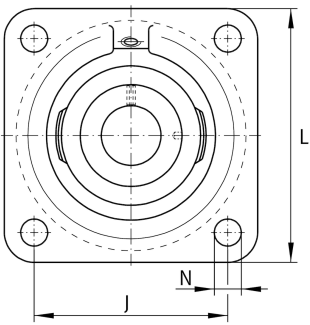


**RCJA35-N**

Flanged housing unit

Flanged housing unit RCJA..-N

## Technical information

**Your current product variant**

Groove	N	Cast iron housing with undercut slot for end caps
Material	GG	Grey cast iron

**Main Dimensions & Performance Data**

d	35 mm	Bore diameter
L	118 mm	Flange width
U	46,2 mm	Total height unit
C <sub>r</sub>	24.900 N	Basic dynamic load rating, radial
C <sub>0r</sub>	15.300 N	Basic static load rating, radial
≈m	1,44 kg	Weight

**Mounting dimensions**

J	92 mm	Distance fixing bore
N	14 mm	Fixing bore
n	4	Number of screwing holes



### Dimensions

A	32,5 mm	Height housing
A <sub>1</sub>	12,5 mm	Thickness of flange
A <sub>2</sub>	21 mm	Distance raceway
B <sub>1</sub>	34 mm	Locking collar total width
V	100 mm	Shoulder diameter housing
Q	M6	Connection thread for lubrication
d <sub>3</sub>	52 mm	Outside diameter locking device

### Additional information

GEHCJ07-GG-N	Housing
GSH35-XL-2RSR-B	Bearing designation

### Temperature range

T <sub>min</sub>	-20 °C	Operating temperature min.
T <sub>max</sub>	100 °C	Operating temperature max.