

IMAGE
COMING SOON**GLCTE25-FA125**

Flanged housing unit

Flanged housing unit GLCTE...-FA125

Technical information

Your current product variant

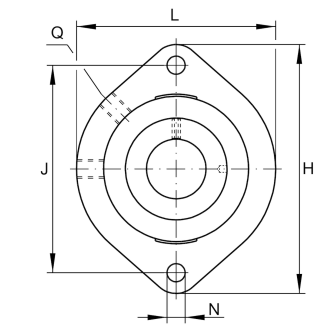
Material	GG	Grey cast iron
Manufacturing instruction	FA125	Unit with Corrotect coating, corrosion-resistant

Main Dimensions & Performance Data

d	25 mm	Bore diameter
L	71 mm	Flange width
H	97 mm	Height flange
U	33,4 mm	Total height unit
C _r	14.900 N	Basic dynamic load rating, radial
C _{0r}	7.800 N	Basic static load rating, radial
≈m	0,47 kg	Weight

Mounting dimensions

J	76,2 mm	Distance fixing bore
N	9 mm	Fixing bore
W	3 mm	Width across flats
n	2	Number of screwing holes





Dimensions

A ₁	19,5 mm	Thickness of flange
A ₂	9,9 mm	Distance raceway
B ₁	31 mm	Locking collar total width
Q	M6	Connection thread for lubrication
d ₃	37,5 mm	Outside diameter eccentric locking collar

Additional information

GEHGLCTE05-GG-FA125.1	Housing
GRAE25-XL-NPP-B-FA125.5	Bearing designation

Temperature range

T _{min}	-20 °C	Operating temperature min.
T _{max}	100 °C	Operating temperature max.