

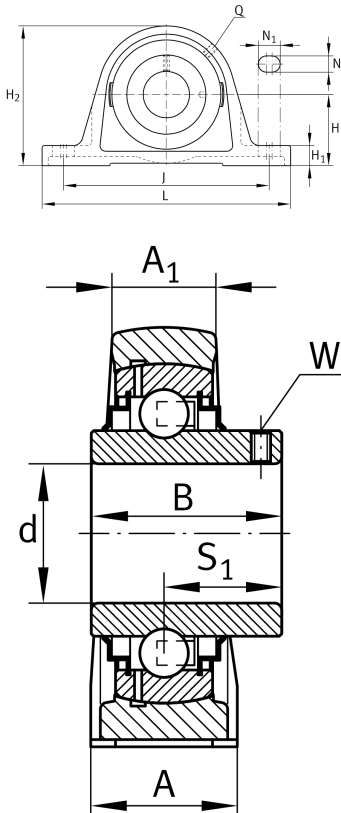
**RASEY45-XL**

Plummer block housing unit

Plummer block housing units RASEY, cast iron housing, radial insert ball bearing with grub screws in inner ring, R seals

X-life

Technical information



Your current product variant

Material	GG	Grey cast iron
----------	----	----------------

Main Dimensions & Performance Data

d	45 mm	Bore diameter
L	192 mm	Length total
H ₂	107 mm	Height
≈m	2,16 kg	Weight

Mounting dimensions

J	149,65 mm	Distance fixing bore
N	14 mm	Width (slot)
N ₁	29 mm	Length (slot)

Dimensions

H	54 mm	Distance shaft axis
A	48 mm	Width (base)
A ₁	32 mm	Width (head)
H ₁	21,5 mm	Height (base)
B	49,2 mm	Width
S ₁	30,2 mm	Distance of raceway to locking collar
Q	M6	Connection thread for lubrication



Additional information

ASE09	Housing
GYE45-XL-KRR-B	Bearing designation

Temperature range

T _{min}	-20 °C	Operating temperature min.
T _{max}	100 °C	Operating temperature max.