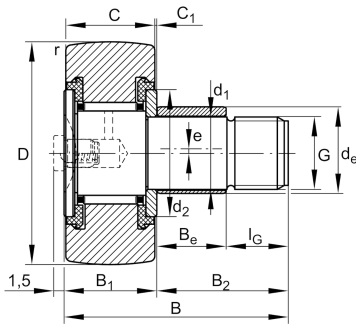


**KRE19** [↗](#)

## Stud type track roller

Stud type track rollers KRE..., single row needle roller bearings with particularly thick-walled outer ring, needle roller and cage assembly and a solid roller stud with fixing thread and a mounting aid, axial guidance of outer ring is provided by the contact flange and contact washer, gap seals on both sides, with eccentric collar

## Technical information



## Your current product variant

Sealing	SPSP	Gap seal on both sides
Outer ring profile	R500	R500
Grease nipples	1x	Drive-fit lubrication nipple unmounted 1x
Assembling aid head	SL	Mounting slot

## Main Dimensions &amp; Performance Data

D	19 mm	Outside diameter
d <sub>1</sub>	8 mm	Fit diameter of roller stud / stud
B	32 mm	Width
C <sub>r w</sub>	3.550 N	Basic dynamic load rating, radial
C <sub>0 r w</sub>	4.100 N	Basic static load rating, radial
C <sub>ur w</sub>	560 N	Fatigue load limit, radial
n <sub>D G</sub>	11.000 1/min	Speed on permanent grease lubrication
≈m	32,105 g	Weight



## Dimensions

B <sub>1</sub>	12,2 mm	Width of thrust washer
B <sub>2</sub>	20 mm	Bolt/stud length effectively
C	11 mm	Width, outer ring
C <sub>1</sub>	0,6 mm	Protrusion outer ring to thrust washer
r <sub>min</sub>	0,15 mm	Minimum chamfer dimension
d <sub>2</sub>	15 mm	Stop diameter of thrust washer
G	M8	Thread
l <sub>G</sub>	10 mm	Thread length
d <sub>e</sub>	11 mm	Diameter of eccentric
B <sub>e</sub>	9 mm	Width, eccentric
e	0,5 mm	Eccentricity

## Additional information

	NIPA1	Drive-fit lubrication nipple
	1,5 mm	Protrusion lubrication nipple
M <sub>A</sub>	8 Nm	Tightening torque nut