

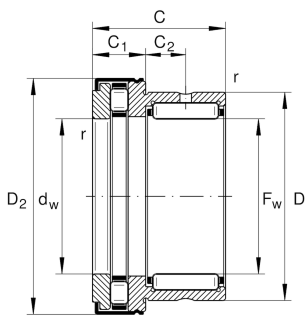
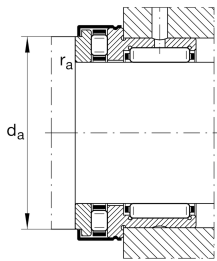
**NKXR17-Z-XL**

## Needle roller/axial cylindrical roller bearing

Needle roller/axial cylindrical roller bearings  
NKXR...-Z, axial component, single direction,  
to DIN 5429, with end cap, for grease  
lubrication

X-life

## Technical information



## Your current product variant

Sealing	Z	Bearing with end cap
Tolerance class	PN	Normal (DIN 620-2)

## Main Dimensions &amp; Performance Data

$F_w$	17 mm	Bore diameter
$D$	26 mm	Outside diameter
$C$	25 mm	Height
$C_r$	13.500 N	Basic dynamic load rating, radial
$C_{0r}$	15.000 N	Basic static load rating, radial
$C_a$	16.000 N	Basic dynamic load rating, axial
$C_{0a}$	33.500 N	Basic static load rating, axial
$C_{ur}$	2.800 N	Fatigue load limit, radial
$C_{ua}$	4.700 N	Fatigue load limit, axial
$n_G$	12.000 1/min	Limiting speed
$n_{gr}$	5.500 1/min	Reference speed
$\approx m$	53,68 g	Weight

## Mounting dimensions

$d_a$	25,7 mm	Mounting dimension shaft shoulder
$r_{a \max}$	0,3 mm	Maximum recess radius



### Dimensions

D <sub>2 max</sub>	31,2 mm	Maximum outside diameter flange
C <sub>1</sub>	9 mm	Width of the axial bearing component
C <sub>2</sub>	8 mm	Distance to lubrication hole
d <sub>w</sub>	17 mm	Bore diameter of shaft washer
r <sub>min</sub>	0,3 mm	Minimum chamfer dimension


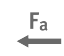


### Temperature range

T <sub>min</sub>	-30 °C	Operating temperature min.
T <sub>max</sub>	120 °C	Operating temperature max.

### Additional information

IR14X17X17-XL      Suitable inner rings IR

### Characteristics

-  Radial load
-  Axial load in one direction
-  Grease Lubrication
-  Sealed on one side