

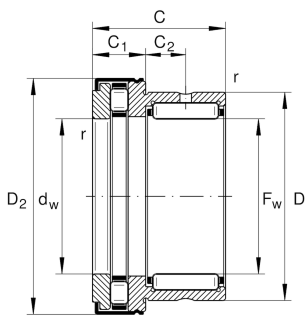
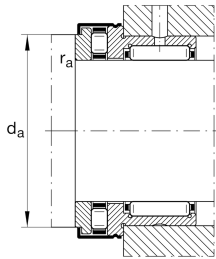
**NKXR15-Z-XL**

Needle roller/axial cylindrical roller bearing

Needle roller/axial cylindrical roller bearings
NKXR...-Z, axial component, single direction,
to DIN 5429, with end cap, for grease
lubrication

X-life

Technical information



Your current product variant

| | | |
|-----------------|----|----------------------|
| Sealing | Z | Bearing with end cap |
| Tolerance class | PN | Normal (PN) |

Main Dimensions & Performance Data

| | | |
|-------------|--------------|-----------------------------------|
| F_w | 15 mm | Bore diameter |
| D | 24 mm | Outside diameter |
| C | 23 mm | Height |
| C_r | 12.100 N | Basic dynamic load rating, radial |
| C_{0r} | 12.700 N | Basic static load rating, radial |
| C_a | 14.400 N | Basic dynamic load rating, axial |
| C_{0a} | 28.500 N | Basic static load rating, axial |
| C_{ur} | 2.360 N | Fatigue load limit, radial |
| C_{ua} | 4.050 N | Fatigue load limit, axial |
| n_G | 13.000 1/min | Limiting speed |
| n_{gr} | 6.500 1/min | Reference speed |
| $\approx m$ | 44,94 g | Weight |

Mounting dimensions

| | | |
|--------------|---------|-----------------------------------|
| d_a | 23,7 mm | Mounting dimension shaft shoulder |
| $r_{a \max}$ | 0,3 mm | Maximum recess radius |



Dimensions

| | | |
|--------------------|---------|--------------------------------------|
| D _{2 max} | 29,2 mm | Maximum outside diameter flange |
| C ₁ | 9 mm | Width of the axial bearing component |
| C ₂ | 6,5 mm | Distance to lubrication hole |
| d _w | 15 mm | Bore diameter of shaft washer |
| r _{min} | 0,3 mm | Minimum chamfer dimension |





Temperature range

| | | |
|------------------|--------|----------------------------|
| T _{min} | -30 °C | Operating temperature min. |
| T _{max} | 120 °C | Operating temperature max. |

Additional information

IR12X15X16-XL Suitable inner rings IR

Characteristics

-  Radial load
-  Axial load in one direction
-  Grease Lubrication
-  Sealed on one side