**AXW40**

Axial needle roller bearing

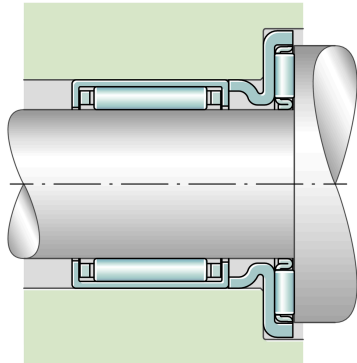
Axial needle roller bearings, single direction,
AXK with axial bearing washer

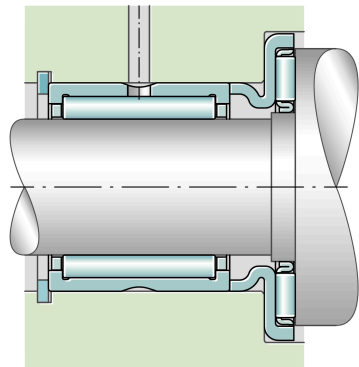
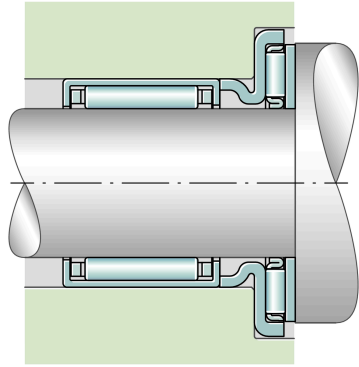
Technical information



Main Dimensions & Performance Data

D_{c1}	40 mm	Bore diameter cage
D	63 mm	Outside diameter bearing washer
B	4,2 mm	Height bearing
B_1	4 mm	Height centering collar
D_1	47 mm	Outside diameter centering collar
E_a	58 mm	Raceway dimension
E_b	45 mm	Raceway dimension
C	28.000 N	Basic dynamic load rating, axial
C_{0a}	114.000 N	Basic static load rating, axial
c_{ua}	12.100 N	Fatigue load limit, axial
n_G	5.800 1/min	Limiting speed
$n_{\vartheta r}$	2.800 1/min	Reference speed
$\approx m$	40 g	Weight










Additional information

AS4060	Axial bearing washer
HK4018-RS	Drawn cup needle roller bearings turned
HK4016	Drawn cup needle roller bearings
HK4020	Drawn cup needle roller bearings
HK4012	Drawn cup needle roller bearings for radial bearing arrangement
BK4020	Needle bush
NKIS25	Needle roller bearings with inner ring
NA4906	Needle roller bearings with inner ring
NA6906	Needle roller bearings with inner ring
NK132/20	Needle roller bearings with inner ring
NK132/30	Needle roller bearings with inner ring
NK37/20	Needle roller bearings with out inner ring
NK37/30	Needle roller bearings with out inner ring
NKS32	Needle roller bearings with out inner ring
RNA4906	Needle roller bearings with out inner ring
RNA6906	Needle roller bearings with out inner ring

Characteristics

-  Axial load in one direction
-  Grease Lubrication
-  Oil Lubrication
-  Not sealed
-  Small design envelope