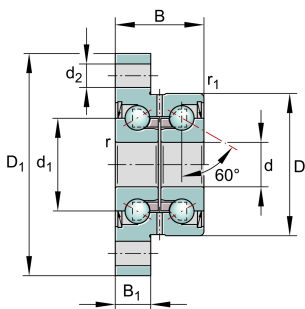
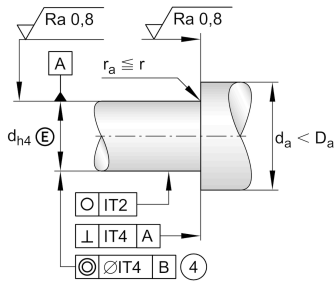
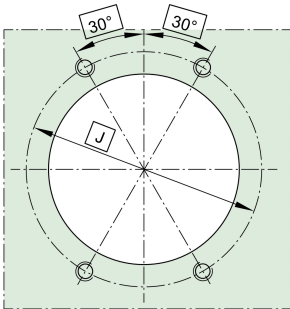


**ZKLFA1263-2RS**

Axial angular contact ball bearing

Angular contact ball bearing units
ZKLFA..-2RS, double direction, for screw
mounting, lip seals on both sides, with
flattened flange

Technical information

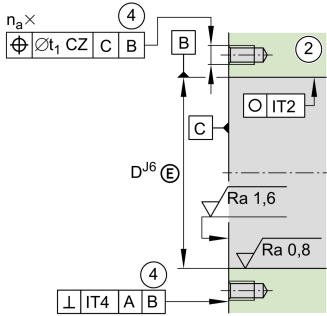
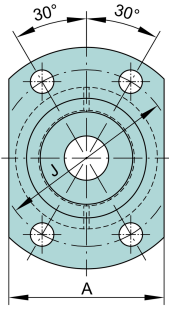


Your current product variant

Sealing	2RS	Contact lip seal on both sides
---------	-----	--------------------------------

Main Dimensions & Performance Data

d	12 mm	Bore diameter
	0 mm	Bore diameter upper tolerance
	-0,005 mm	Bore diameter lower tolerance
D	42 mm	Outside diameter
	0 mm	Outside diameter upper tolerance
	-0,01 mm	Outside diameter lower tolerance
B	25 mm	Width
	0 mm	Width upper tolerance
	-0,25 mm	Width lower tolerance
C _a	17.100 N	Basic dynamic load rating, axial
C _{0a}	25.000 N	Basic static load rating, axial
C _{ua}	1.140 N	Fatigue load limit, axial
n _G Grease	9.200 1/min	Limiting speed for grease lubrication
n _g	3.800 1/min	Thermally permissible speed
m	0,276 kg	Weight



Mounting dimensions

$d_{a \min}$	16 mm	Minimum diameter shaft shoulder
$d_{a \max}$	31 mm	Maximum diameter of shaft shoulder
t_1	0,1 mm	Position tolerance
	M6	Screw size
n_a	4	Number of screws

Dimensions

d_1	25 mm	Rib diameter inner ring
r_{\min}	0,3 mm	Minimum chamfer dimension
$r_{1 \min}$	0,6 mm	Minimum chamfer dimension
B_1	10 mm	Thickness of flange
d_2	6,8 mm	Fixing boring diameter
J	53 mm	Pitch circle diameter (holes)
A	45 mm	Flange width

Temperature range

T_{\min}	-30 °C	Operating temperature min.
T_{\max}	120 °C	Operating temperature max.

Additional information

M_{RL}	0,16 Nm	Bearing friction torque
c_{aL}	375 N/μm	Rigidity axial
c_{kL}	50 Nm/mrad	Tilting stiffness
M_m	0,068 kg*cm ²	Mass moment of inertia
	2 μm	Axial runout
	ZM12	Recommended INA precision locknut for radial locking (not included)
M_A	8 Nm	Tightening torque nut
	5.307 N	Locknut force axial



Characteristics



Radial load



Axial load in one direction



Axial load in two directions



Lifetime lubrication, freedom from maintenance



Grease Lubrication



Sealed on both sides