



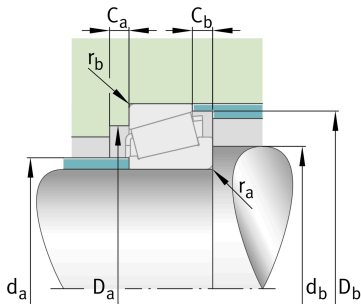
FAG

32315-B

Tapered roller bearing

Kegelrollenlager 323, Hauptabmessungen nach DIN 720, zerlegbar

Technische Informationen



Your current product variant

| | | |
|--------------------------|----------|---|
| Toleranzklasse | PN | Normal (ISO 492:2014) |
| Wärmebehandlung | Standard | |
| Käfig | Standard | Käfig aus Stahlblech, wälzkörpergeführt |
| Innere Konstruktion | B | Vergrößerter Druckwinkel |
| Qualitätslevel | Standard | |
| Anzahl Wälzkörper-Reihen | 1 | Einreihig |

Main Dimensions & Performance Data

| | | |
|-------------|-------------|-----------------------------------|
| d | 75 mm | Bore diameter |
| D | 160 mm | Outside diameter |
| B | 55 mm | Width, inner ring |
| C | 45 mm | Width, outer ring |
| T | 58 mm | Width, total |
| C_r | 330.000 N | Basic dynamic load rating, radial |
| C_{0r} | 470.000 N | Basic static load rating, radial |
| C_{ur} | 55.000 N | Fatigue load limit, radial |
| n_G | 4.350 1/min | Limiting speed |
| n_{gr} | 3.400 1/min | Thermal speed rating |
| $\approx m$ | 5,636 kg | Weight |



Mounting dimensions

| | | |
|--------------|--------|--------------------------------------|
| $d_{a \max}$ | 90 mm | Maximum diameter of shaft shoulder |
| $d_{b \min}$ | 87 mm | Minimum diameter of shaft shoulder |
| $D_{a \min}$ | 124 mm | Minimum diameter of housing shoulder |
| $D_{a \max}$ | 148 mm | Maximum diameter of housing shoulder |
| $D_{b \min}$ | 151 mm | Minimum diameter of housing shoulder |
| $C_{a \min}$ | 7 mm | Minimum axial space |
| $C_{b \min}$ | 14 mm | Minimum axial space |
| $r_{a \max}$ | 3 mm | Maximum fillet radius of shaft |
| $r_{b \max}$ | 2,5 mm | Maximum fillet radius of housing |

Dimensions

| | | |
|-----------------|----------|---|
| $r_{1, 2 \min}$ | 3 mm | Minimum chamfer dimension of inner ring back face |
| $r_{3, 4 \min}$ | 2,5 mm | Minimum chamfer dimension of outer ring back face |
| a | 47 mm | Distance between the apexes of the pressure cones |
| d_1 | 120,4 mm | Guidance rib diameter of inner ring |

Temperature range

| | | |
|------------|--------|----------------------------|
| T_{\min} | -30 °C | Operating temperature min. |
| T_{\max} | 120 °C | Operating temperature max. |

Calculation factors

| | | |
|-------|------|--|
| e | 0,55 | Limiting value of F_a/F_r for the applicability of diff. Values of factors X and Y |
| Y | 1,1 | Dynamic axial load factor |
| Y_0 | 0,6 | Static axial load factor |

Additional information

T5GD075

Comparative designation to ISO 10317 and ISO 355



Characteristics

-  Radial load
-  Axial load in one direction
-  Grease Lubrication
-  Oil Lubrication
-  Not sealed