

**FAG****30205-XL**

Tapered roller bearing

Tapered roller bearings 302, main dimensions
acc. to DIN 720, separable**X-life**

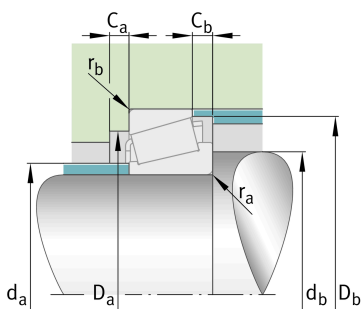
Technical information

Your current product variant

Tolerance class	PN	Normal (ISO 492:2023)
Heat treatment	Standard	
Cage	Standard	Sheet steel cage, window cage, roller-guided
Internal design	Standard	
Quality level	XL	X-life
Number of rows	1	Single-row design

Main Dimensions & Performance Data

d	25 mm	Bore diameter
D	52 mm	Outside diameter
B	15 mm	Width, inner ring
C	13 mm	Width, outer ring
T	16,25 mm	Width, total
C_r	40.500 N	Basic dynamic load rating, radial
C_{0r}	35.500 N	Basic static load rating, radial
C_{ur}	5.200 N	Fatigue load limit, radial
n_G	18.000 1/min	Limiting speed
n_{gr}	9.100 1/min	Thermal speed rating
m	153,83 g	Weight





Mounting dimensions

$d_{a \max}$	31 mm	Maximum diameter of shaft shoulder
$d_{b \min}$	31 mm	Minimum diameter of shaft shoulder
$D_{a \min}$	44 mm	Minimum diameter of housing shoulder
$D_{a \max}$	46 mm	Maximum diameter of housing shoulder
$D_{b \min}$	48 mm	Minimum diameter of housing shoulder
$C_{a \min}$	2 mm	Minimum axial space
$C_{b \min}$	3 mm	Minimum axial space
$r_{a \max}$	1 mm	Maximum fillet radius of shaft
$r_{b \max}$	1 mm	Maximum fillet radius of housing

Dimensions

$r_{1, 2 \min}$	1 mm	Minimum chamfer dimension of inner ring back face
$r_{3, 4 \min}$	1 mm	Minimum chamfer dimension of outer ring back face
a	13 mm	Distance between the apexes of the pressure cones
d_1	38,5 mm	Guidance rib diameter of inner ring

Temperature range

T_{\min}	-30 °C	Operating temperature min.
T_{\max}	120 °C	Operating temperature max.

Calculation factors

e	0,37	Limiting value of F_a/F_r for the applicability of diff. Values of factors X and Y
Y	1,6	Dynamic axial load factor
Y_0	0,88	Static axial load factor

Additional information

T3CC025

Comparative designation to ISO 10317 and ISO 355



Characteristics

-  Radial load
-  Axial load in one direction
-  Grease Lubrication
-  Oil Lubrication
-  Not sealed