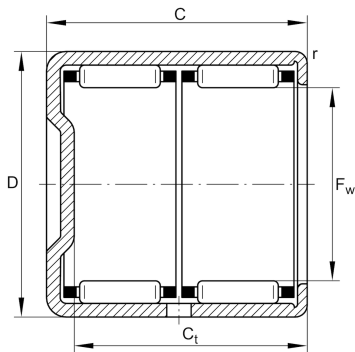


**BK3038-ZW**

Drawn cup needle roller bearing closed end

Drawn cup needle roller bearings with closed end BK, to DIN 618/ISO 3245

Technical information

**Your current product variant**

Lubricant	Without	
Number of rows	2	Double-row design

Main Dimensions & Performance Data

F_w	30 mm	Under roller diameter
D	37 mm	Outside diameter
C	38 mm	Width, outer ring
C_r	37.500 N	Basic dynamic load rating, radial
C_{0r}	79.000 N	Basic static load rating, radial
C_{ur}	10.300 N	Fatigue load limit, radial
n_G	8.600 1/min	Limiting speed
n_{gr}	6.200 1/min	Reference speed
$\approx m$	84 g	Weight

Dimensions

r_{min}	0,8 mm	Minimum chamfer dimension
C_{tmin}	35,3 mm	Minimum width to base of drawn cup with closed end

Temperature range

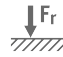



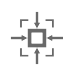
T_{min}	-30 °C	Operating temperature min.
T_{max}	140 °C	Operating temperature max.



Additional information

LR25X30X38,5	Suitable inner rings LR
IR25X30X38,5-XL	Suitable inner rings IR

Characteristics

-  Radial load
-  Grease Lubrication
-  Oil Lubrication
-  Not sealed
-  Small design envelope