

**SL185040-TB** [↗](#)

Cylindrical roller bearing

Cylindrical roller bearing SL1850..-TB, full complement roller set, two-row, semi-locating bearing, 1 rib on outer ring, 3 ribs on inner ring, type SL18

Technical information

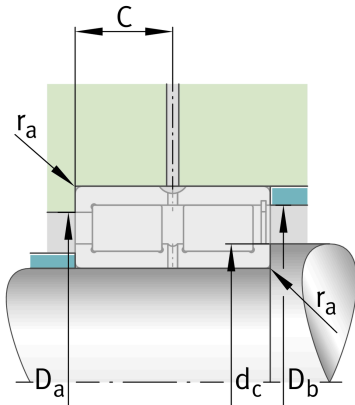


Your current product variant

Design	TB	Bearings with increased axial load capacity
Radial internal clearance	CN (Group N)	Normal internal clearance
Tolerance class	PN	Normal (ISO 492:2023)
Number of rows	2	Double-row design

Main Dimensions & Performance Data

d	200 mm	Bore diameter
D	310 mm	Outside diameter
B	150 mm	Width
C_r	1.630.000 N	Basic dynamic load rating, radial
C_{0r}	3.000.000 N	Basic static load rating, radial
C_{ur}	375.000 N	Fatigue load limit, radial
n_G	1.230 1/min	Limiting speed
n_{gr}	710 1/min	Reference speed
$\approx m$	39,138 kg	Weight





Mounting dimensions

$d_{c \min}$	236,5 mm	Minimum shaft shoulder
$d_{a \min}$	236,6 mm	Minimum diameter shaft shoulder
$D_{a \max}$	276,5 mm	Maximum diameter of housing shoulder
$r_{a \max}$	2,1 mm	Maximum recess radius
$D_{e \min}$	274,9 mm	Minimum diameter of housing shoulder

Dimensions

r_{\min}	2,1 mm	Minimum chamfer dimension
$r_{1 \min}$	2,1 mm	Minimum chamfer dimension
s	8,9 mm	Axial displacement
C	75 mm	Distance to lubrication hole
d_1	236,6 mm	Maximum rib diameter inner ring
$D_1 \min$	274,9 mm	Minimum rib diameter outer ring
E	287,8 mm	Raceway diameter outer ring

Temperature range

T_{\min}	-30 °C	Operating temperature min.
T_{\max}	120 °C	Operating temperature max.

Characteristics

	Radial load
	Axial load in one direction
	Grease Lubrication
	Oil Lubrication
	Not sealed