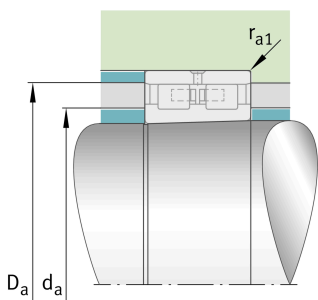
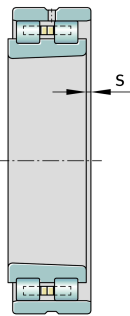
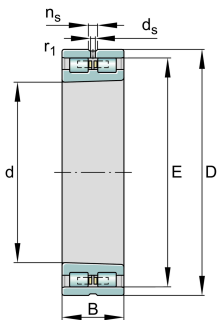


**FAG****NN3044-AS-K-M-SP**

## Cylindrical roller bearing

Super precision cylindrical roller bearings  
 NN30...-AS-K-M-SP, non-locating bearing,  
 double row, with tapered bore, taper 1:12,  
 separable, with cage

## Technical information



## Your current product variant

|                           |              |                                    |
|---------------------------|--------------|------------------------------------|
| Cage                      | M            | Brass Cage                         |
| Tolerance class           | SP           | Tolerance class SP                 |
| Bore type                 | K            | Tapered, taper 1:12                |
| Change mark               | A            | Internal Variant A                 |
| Radial internal clearance | C1 (Group 1) | Internal clearance smaller than C2 |
| Number of rows            | 2            | Double-row design                  |

## Main Dimensions &amp; Performance Data

|                 |             |                                       |
|-----------------|-------------|---------------------------------------|
| d               | 220 mm      | Bore diameter                         |
| D               | 340 mm      | Outside diameter                      |
| B               | 90 mm       | Width                                 |
| $C_r$           | 810.000 N   | Basic dynamic load rating, radial     |
| $C_{0r}$        | 1.450.000 N | Basic static load rating, radial      |
| $C_{ur}$        | 166.000 N   | Fatigue load limit, radial            |
| $n_G$<br>Grease | 2.290 1/min | Limiting speed for grease lubrication |
| $n_G$<br>Oil    | 2.700 1/min | Limiting speed for oil lubrication    |
| $\approx m$     | 29,1 kg     | Weight                                |



### Mounting dimensions

|               |        |  |
|---------------|--------|--|
| $d_a$         | 254 mm | Diameter shaft shoulder                |
|               | h12    | Diameter shaft shoulder tolerance      |
| $D_a$         | 317 mm | Diameter of housing shoulder           |
|               | H12    | Shoulder diameter outer ring clearance |
| $r_{a1 \max}$ | 2,5 mm | Maximum recess radius                  |

### Dimensions

|              |        |                             |
|--------------|--------|-----------------------------|
| $r_{1 \min}$ | 3 mm   | Minimum chamfer dimension   |
| E            | 310 mm | Raceway diameter outer ring |
| $n_s$        | 15 mm  | Width of lubricating groove |
| $d_s$        | 8 mm   | Diameter lubrication hole   |
| s            | 5,7 mm | Axial displacement          |

### Temperature range

|            |        |                            |
|------------|--------|----------------------------|
| $T_{\min}$ | -30 °C | Operating temperature min. |
| $T_{\max}$ | 150 °C | Operating temperature max. |

### Characteristics

|   |                    |
|---|--------------------|
|  | Radial load        |
|  | Grease Lubrication |
|  | Oil Lubrication    |
|  | Not sealed         |
|  | Large bearing      |