

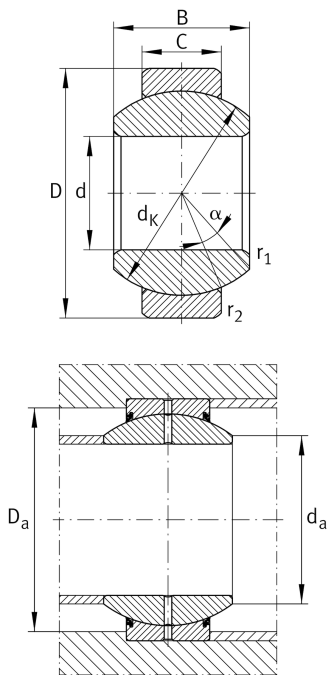
**GE8-FO**

Spherical plain bearing



High performance radial spherical plain bearing, requiring maintenance, sliding contact surface: steel/steel; DIN ISO 12240-1, dimension series G, open design

Technical information



Your current product variant

Maintenance	Maintenance required	
Material	Steel	
Sealing	Without	
Radial internal clearance	CN (Group N)	Normal internal clearance
Coating	Durotect M	Inner- and outer ring coated with Durotect M (Manganese Phosphate)

Main Dimensions & Performance Data

d	8 mm	Bore diameter bearing
D	19 mm	Outside diameter bearing
B	11 mm	Width inner ring
C _r	10.600 N	Basic dynamic load rating, radial
C _{0r}	40.800 N	Basic static load rating, radial
≈m	14 g	Weight

Mounting dimensions

r _{1smin}	0,3 mm	Edge Spacing
r _{2smin}	0,3 mm	Edge Spacing
d _{a max}	11,6 mm	Connection measure Inner ring
D _{a min}	15,5 mm	Housing Connection Diameter



Dimensions

C	6 mm	Width Outer ring
d _K	16 mm	Ball diameter
α	21 °	Tilt angle
d _{OT}	0 mm	Bore diameter bearing, upper tolerance
d _{UT}	-0,008 mm	Bore diameter bearing, lower tolerance
D _{OT}	0 mm	Outside diameter, upper tolerance
D _{UT}	-0,009 mm	Outside diameter, lower tolerance
B _{OT}	0 mm	Width inner ring, upper tolerance
B _{UT}	-0,12 mm	Width inner ring, lower tolerance
C _{OT}	0 mm	Width outer ring, upper tolerance
C _{UT}	-0,24 mm	Width outer ring, lower tolerance
G _r	0,032 - 0,068	Radial Clearance
G _{rmax}	0,068 mm	Radial clearance, maximum
G _{rmin}	0,032 mm	Radial clearance, minimum

Temperature range

T _{min}	-60 °C	Operating temperature min.
T _{max}	200 °C	Operating temperature max.

Characteristics

	Radial load
	Axial load in one direction
	Axial load in two directions
	Grease Lubrication
	Not sealed
	Static angular error and misalignment
	Dynamic angular error and misalignment