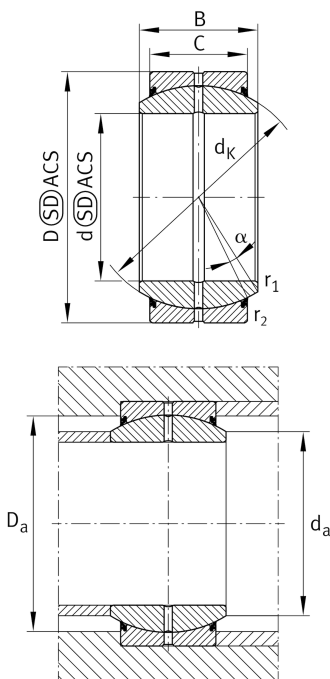


**GE160-DO-2RS**

Spherical plain bearing

High performance radial spherical plain bearing, requiring maintenance, sliding contact surface: steel/steel, DIN ISO 12240-1, dimension series E, sealed
High-performance: For highest load rating and lifetime demands

Technical information



Your current product variant

Maintenance	Maintenance required	
Material	Steel	
Sealing	2RS	Lip seals on both sides
Radial internal clearance	CN (Group N)	Normal internal clearance
Coating	Durotect M	Inner- and outer ring coated with Durotect M (Manganese Phosphate)

Main Dimensions & Performance Data

d	160 mm	Bore diameter bearing
D	230 mm	Outside diameter bearing
B	105 mm	Width inner ring
C _r	1.770.000 N	Basic dynamic load rating, radial
C _{0r}	6.800.000 N	Basic static load rating, radial
≈m	13,494 kg	Weight

Mounting dimensions

r _{1smin}	1 mm	Edge Spacing
r _{2smin}	1 mm	Edge Spacing
d _{a max}	170,2 mm	Connection measure Inner ring
D _{a min}	191 mm	Housing Connection Diameter



Dimensions

C	80 mm	Width Outer ring
d _K	200 mm	Ball diameter
α	8 °	Tilt angle
d _{OT}	0 mm	Bore diameter bearing, upper tolerance
d _{UT}	-0,025 mm	Bore diameter bearing, lower tolerance
D _{OT}	0 mm	Outside diameter, upper tolerance
D _{UT}	-0,03 mm	Outside diameter, lower tolerance
B _{OT}	0 mm	Width inner ring, upper tolerance
B _{UT}	-0,25 mm	Width inner ring, lower tolerance
C _{OT}	0 mm	Width outer ring, upper tolerance
C _{UT}	-0,6 mm	Width outer ring, lower tolerance
G _r	0,1 - 0,192	Radial Clearance
G _{rmax}	0,192 mm	Radial clearance, maximum
G _{rmin}	0,1 mm	Radial clearance, minimum

Temperature range

T _{min}	-30 °C	Operating temperature min.
T _{max}	130 °C	Operating temperature max.

Characteristics

-  Radial load
-  Axial load in one direction
-  Axial load in two directions
-  Grease Lubrication
-  Sealed on both sides
-  Static angular error and misalignment
-  Dynamic angular error and misalignment