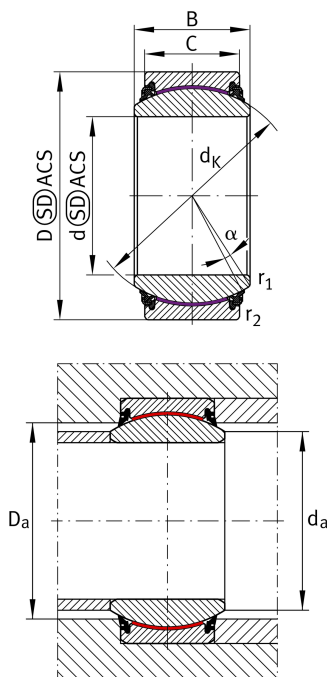


**GE80-UK-2TS**

Spherical plain bearing

Radial spherical plain bearing, maintenance-free, sliding layer: ELGOGLIDE, DIN ISO 12240-1, Tolerances of the outside diameter and bore not according to DIN ISO 12240-1, dimension series E, sealed

Technical information



Your current product variant

| | | |
|-------------|------------------|--|
| Maintenance | Maintenance free | |
| Sealing | 2TS | Integrated triple lip high performance seals on both sides |
| Bore lining | Without | |
| Coating | Without | |
| Fabric | ELGOGLIDE | |
| Material | Steel | |

Main Dimensions & Performance Data

| | | |
|-----------------|-------------|-----------------------------------|
| d | 80 mm | Bore diameter bearing |
| C _r | 1.130.000 N | Basic dynamic load rating, radial |
| D | 120 mm | Outside diameter bearing |
| B | 55 mm | Width inner ring |
| C | 45 mm | Width Outer ring |
| C _{0r} | 1.890.000 N | Basic static load rating, radial |
| ≈m | 2,26 kg | Weight |

Mounting dimensions

| | | |
|--------------------|---------|------------------------------------|
| r _{1smin} | 1 mm | Edge Spacing |
| r _{2smin} | 1 mm | Edge Spacing |
| D _{amin} | 99 mm | Housing Connection Diameter |
| d _{amax} | 89,4 mm | Connection measurement, inner ring |



Dimensions

| | | |
|------------|-----------|--|
| d_K | 105 mm | Ball diameter |
| α | 6 ° | Tilt angle |
| D_{OT} | 0 mm | Outside diameter, upper tolerance |
| D_{UT} | -0,015 mm | Outside diameter, lower tolerance |
| B_{OT} | 0 mm | Width inner ring, upper tolerance |
| d_{UT} | -0,015 mm | Bore diameter bearing, lower tolerance |
| B_{UT} | -0,15 mm | Width inner ring, lower tolerance |
| d_{OT} | 0 mm | Bore diameter bearing, upper tolerance |
| C_{OT} | 0 mm | Width outer ring, upper tolerance |
| C_{UT} | -0,4 mm | Width outer ring, lower tolerance |
| G_r | 0 - 0,072 | Radial Clearance |
| G_{rmax} | 0,072 mm | Radial clearance, maximum |
| G_{rmin} | 0 mm | Radial clearance, minimum |

Temperature range

| | | |
|-----------|--------|----------------------------|
| T_{min} | -30 °C | Operating temperature min. |
| T_{max} | 100 °C | Operating temperature max. |

Characteristics

| | |
|---|--|
|  | Radial load |
|  | Axial load in one direction |
|  | Axial load in two directions |
|  | Lifetime lubrication, freedom from maintenance |
|  | Sealed on both sides |
|  | Static angular error and misalignment |
|  | Dynamic angular error and misalignment |