

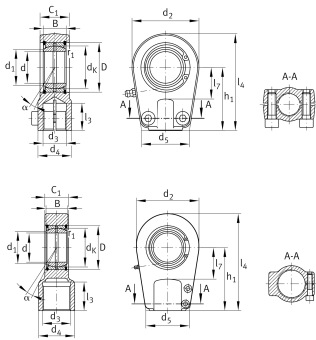
**GIHRK70-DO**

Rod end



Hydraulic rod end, with thread clamping device, right hand thread, requiring maintenance, sliding contact surface: steel/steel, open design

Technical information

**Your current product variant**

Clampable	Clampable
Maintenance	Maintenance required
Lubrication nipple	DIN71412-AS6 (tapered grease nipple)
Slotted	Slotted, one side
Thread Pitch	Right-hand thread
Sealing	Without
Mounting	Internal thread clampable
Radial internal clearance	CN (Group N) Normal internal clearance

Main Dimensions & Performance Data

C_r	407.000 N	Basic dynamic load rating, radial
C_{0r}	441.000 N	Basic static load rating, radial
d	70 mm	Bore diameter bearing
d_2	154 mm	Outer eye diameter
l_4	232 mm	Total length internal thread head
D	105 mm	Outside diameter bearing
B	49 mm	Width inner ring
$\approx m$	8,81 kg	Weight



Dimensions

α	6 °	Tilt angle
C ₁	55 mm	Width of the rod end
d _K	92 mm	Ball diameter
d ₃	M65x1,5	Thread size
d ₄	86 mm	Shank diameter
d ₅	100 mm	Shank diameter, large
d ₇	M12x50	Diameter screw clamp
h ₁	150 mm	Shank Length Internal thread head
l ₃	66 mm	Thread length Internal thread
l ₇	75 mm	Distance drilling with/shaft start
d _{UT}	-0,015 mm	Bore diameter bearing, lower tolerance
d _{OT}	0 mm	Bore diameter bearing, upper tolerance
B _{UT}	-0,15 mm	Width inner ring, lower tolerance
B _{OT}	0 mm	Width inner ring, upper tolerance
M _A	80 Nm	Tightening torque
G _r	0,055 - 0,142	Radial Clearance
G _{rmin}	0,055 mm	Radial clearance, minimum
G _{rmax}	0,142 mm	Radial clearance, maximum

Mounting dimensions

r _{1smin}	1 mm	Edge Spacing
d ₁	77,9 mm	Outer flange diameter inner ring

Temperature range

T _{min}	-60 °C	Operating temperature min.
T _{max}	200 °C	Operating temperature max.



Characteristics



Radial load



Axial load in one direction



Axial load in two directions



Grease Lubrication



Not sealed



Static angular error and misalignment



Dynamic angular error and misalignment