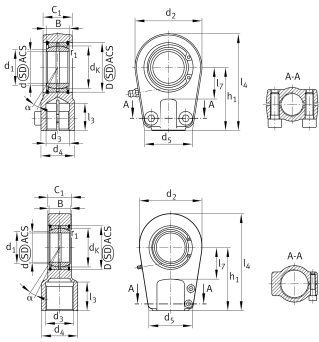


IMAGE
COMING SOON**GIHRK30-UK-2RS**

Rod end

Hydraulic rod end, with thread clamping device, right hand thread, maintenance-free, sliding layer: ELGOGLIDE, sealed design

Technical information



Your current product variant

Clampable	Clampable
Maintenance	Maintenance free
Lubrication nipple	Cannot be relubricated
Slotted	Slotted, both sides
Thread Pitch	Right-hand thread
Sealing	2RS Lip seals on both sides
Mounting	Internal thread

Main Dimensions & Performance Data

C_r	165.000 N	Basic dynamic load rating, radial
C_{0r}	96.800 N	Basic static load rating, radial
d	30 mm	Bore diameter bearing
D	47 mm	Outside diameter bearing
l_4	94 mm	Total length internal thread head
B	22 mm	Width inner ring,
d_2	64 mm	Outer eye diameter
$\approx m$	0,72 kg	Weight



Dimensions

d _K	40,7 mm	Ball diameter
d ₃	M22x1,5	Thread size
d ₄	32 mm	Shank diameter
h ₁	60 mm	Shank Length Internal thread head
C ₁	28 mm	Width of the rod end
α	6 °	Tilt angle
l ₃	23 mm	Thread length Internal thread
l ₇	30 mm	Distance drilling with/shaft start
d ₅	50 mm	Shank diameter, large
G _r	0 - 0,05 mm	Radial Clearance
M _A	32 Nm	Tightening torque
d _{OT}	0 mm	Bore diameter bearing, upper tolerance
d _{UT}	-0,01 mm	Bore diameter bearing, lower tolerance
B _{OT}	0 mm	Width inner ring, upper tolerance
B _{UT}	-0,12 mm	Width inner ring, lower tolerance
G _{rmax}	0,05 mm	Radial clearance, maximum
G _{rmin}	0 mm	Radial clearance, minimum

Temperature range

T _{min}	-30 °C	Operating temperature min.
T _{max}	130 °C	Operating temperature max.

Mounting dimensions

d ₁	34,2 mm	Outer flange diameter inner ring
r _{1smin}	0,6 mm	Edge Spacing



Characteristics



Radial load



Axial load in one direction



Axial load in two directions



Lifetime lubrication, freedom from maintenance



Sealed on both sides



Static angular error and misalignment



Dynamic angular error and misalignment