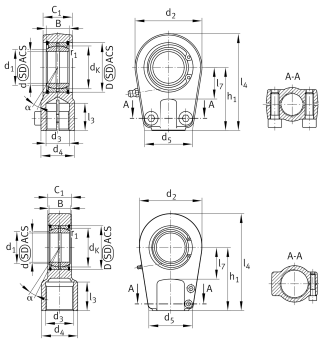


**GIHRK25-DO**

## Rod end

Hydraulic rod end, with thread clamping device, right hand thread, requiring maintenance, sliding contact surface: steel/steel, open design

## Technical information

**Your current product variant**

Clampable	Clampable	
Maintenance	Maintenance required	
Lubrication nipple	DIN71412-AM6 (tapered grease nipple)	
Slotted	Slotted, both sides	
Thread Pitch	Right-hand thread	
Sealing	Without	
Mounting	Internal thread	
Radial internal clearance	CN (Group N)	Normal internal clearance

**Main Dimensions & Performance Data**

$C_r$	62.800 N	Basic dynamic load rating, radial
$C_{0r}$	65.500 N	Basic static load rating, radial
$d$	25 mm	Bore diameter bearing
$d_2$	56 mm	Outer eye diameter
$l_4$	80 mm	Total length internal thread head
$D$	42 mm	Outside diameter bearing
$B$	20 mm	Width inner ring
$\approx m$	0,49 kg	Weight



## Dimensions

$\alpha$	7 °	Tilt angle
C <sub>1</sub>	23 mm	Width of the rod end
d <sub>K</sub>	35,5 mm	Ball diameter
d <sub>3</sub>	M16x1,5	Thread size
d <sub>4</sub>	25 mm	Shank diameter
d <sub>5</sub>	46 mm	Shank diameter, large
d <sub>7</sub>	M8x25	Diameter screw clamp
h <sub>1</sub>	50 mm	Shank Length Internal thread head
l <sub>3</sub>	17 mm	Thread length Internal thread
l <sub>7</sub>	25 mm	Distance drilling with/shaft start
d <sub>UT</sub>	-0,01 mm	Bore diameter bearing, lower tolerance
d <sub>T</sub>	0,01	Bore diameter bearing, tolerance
d <sub>OT</sub>	0 mm	Bore diameter bearing, upper tolerance
B <sub>UT</sub>	-0,12 mm	Width inner ring, lower tolerance
B <sub>OT</sub>	0 mm	Width inner ring, upper tolerance
M <sub>A</sub>	32 Nm	Tightening torque
G <sub>r</sub>	0,025 - 0,1 mm	Radial Clearance
G <sub>rmin</sub>	0,025 mm	Radial clearance, minimum
G <sub>rmax</sub>	0,1 mm	Radial clearance, maximum

## Mounting dimensions

r <sub>1smin</sub>	0,6 mm	Edge Spacing
d <sub>1</sub>	29,3 mm	Outer flange diameter inner ring

## Temperature range

T <sub>min</sub>	-60 °C	Operating temperature min.
T <sub>max</sub>	200 °C	Operating temperature max.



### Characteristics

---



Radial load



Axial load in one direction



Axial load in two directions



Grease Lubrication



Not sealed



Static angular error and misalignment



Dynamic angular error and misalignment