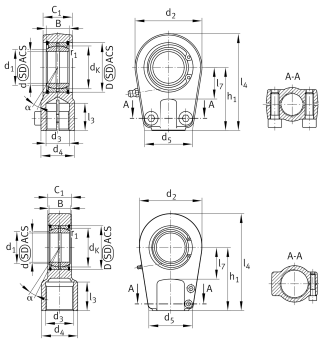


**GIHRK35-DO**

Rod end

Hydraulic rod end, with thread clamping device, right hand thread, requiring maintenance, sliding contact surface: steel/steel, open design

Technical information



Your current product variant

Clampable	Clampable	
Maintenance	Maintenance required	
Lubrication nipple	DIN71412-AM6 (tapered grease nipple)	
Slotted	Slotted, both sides	
Thread Pitch	Right-hand thread	
Sealing	Without	
Mounting	Internal thread	
Radial internal clearance	CN (Group N)	Normal internal clearance

Main Dimensions & Performance Data

C_r	104.000 N	Basic dynamic load rating, radial
C_{0r}	140.000 N	Basic static load rating, radial
d	35 mm	Bore diameter bearing
d_2	78 mm	Outer eye diameter
l_4	112 mm	Total length internal thread head
D	55 mm	Outside diameter bearing
B	25 mm	Width inner ring
$\approx m$	1,25 kg	Weight



Dimensions

α	6 °	Tilt angle
C 1	30 mm	Width of the rod end
d K	47 mm	Ball diameter
d 3	M28x1,5	Thread size
d 4	40 mm	Shank diameter
d 5	66 mm	Shank diameter, large
d 7	M10x30	Diameter screw clamp
h 1	70 mm	Shank Length Internal thread head
l 3	29 mm	Thread length Internal thread
l 7	38 mm	Distance drilling with/shaft start
d UT	-0,012 mm	Bore diameter bearing, lower tolerance
d T	0,012	Bore diameter bearing, tolerance
d OT	0 mm	Bore diameter bearing, upper tolerance
B UT	-0,12 mm	Width inner ring, lower tolerance
B OT	0 mm	Width inner ring, upper tolerance
M A	64 Nm	Tightening torque
G r	CN	Radial Clearance
G rmin	0,037 mm	Radial clearance, minimum
G rmax	0,1 mm	Radial clearance, maximum

Mounting dimensions

r 1smin	0,6 mm	Edge Spacing
d 1	39,8 mm	Outer flange diameter inner ring

Temperature range

T min	-60 °C	Operating temperature min.
T max	200 °C	Operating temperature max.



Characteristics



Radial load



Axial load in one direction



Axial load in two directions



Grease Lubrication



Not sealed



Static angular error and misalignment



Dynamic angular error and misalignment