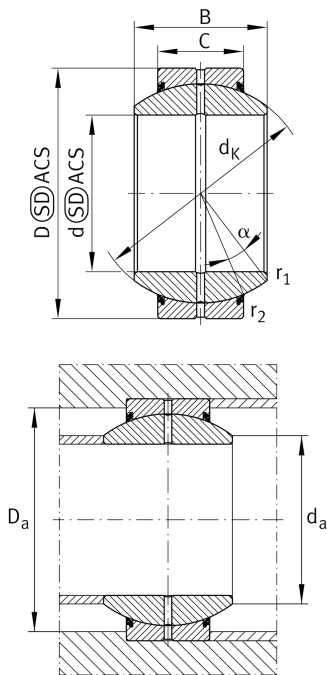
**GE25-FO-2RS-E**

Spherical plain bearing

Standard performance Radial spherical plain bearing, requiring maintenance, sliding contact surface: steel/steel, DIN ISO 12240-1, dimension series G, sealed

Technical information

**Your current product variant**

| | | |
|---------------------------|----------------------|--|
| Maintenance | Maintenance required | |
| Material | Steel | |
| Sealing | 2RS | Lip seals on both sides |
| Radial internal clearance | CN (Group N) | Normal internal clearance |
| Coating | Durotect M | Inner- and outer ring coated with Durotect M (Manganese Phosphate) |

Main Dimensions & Performance Data

| | | |
|-----------------|-----------|-----------------------------------|
| d | 25 mm | Bore diameter bearing |
| D | 47 mm | Outside diameter bearing |
| B | 28 mm | Width inner ring |
| C _r | 62.300 N | Basic dynamic load rating, radial |
| C _{0r} | 311.000 N | Basic static load rating, radial |
| ≈m | 0,19 kg | Weight |

Mounting dimensions

| | | |
|--------------------|---------|-------------------------------|
| r _{1smin} | 0,6 mm | Edge Spacing |
| r _{2smin} | 0,6 mm | Edge Spacing |
| d _{a max} | 29,5 mm | Connection measure Inner ring |
| D _{a min} | 38 mm | Housing Connection Diameter |



Dimensions

| | | |
|------------|------------|--|
| C | 18 mm | Width Outer ring |
| d_K | 40,7 mm | Ball diameter |
| α | 17 ° | Tilt angle |
| d_{OT} | 0 mm | Bore diameter bearing, upper tolerance |
| d_{UT} | -0,01 mm | Bore diameter bearing, lower tolerance |
| D_{OT} | 0 mm | Outside diameter, upper tolerance |
| D_{UT} | -0,011 mm | Outside diameter, lower tolerance |
| B_{OT} | 0 mm | Width inner ring, upper tolerance |
| B_{UT} | -0,12 mm | Width inner ring, lower tolerance |
| C_{OT} | 0 mm | Width outer ring, upper tolerance |
| C_{UT} | -0,24 mm | Width outer ring, lower tolerance |
| G_r | 0,05 - 0,1 | Radial Clearance |
| G_{rmax} | 0,1 mm | Radial clearance, maximum |
| G_{rmin} | 0,05 mm | Radial clearance, minimum |

Temperature range

| | | |
|-----------|--------|----------------------------|
| T_{min} | -30 °C | Operating temperature min. |
| T_{max} | 130 °C | Operating temperature max. |

Characteristics

| | |
|---|--|
|  | Radial load |
|  | Axial load in one direction |
|  | Axial load in two directions |
|  | Grease Lubrication |
|  | Sealed on both sides |
|  | Static angular error and misalignment |
|  | Dynamic angular error and misalignment |