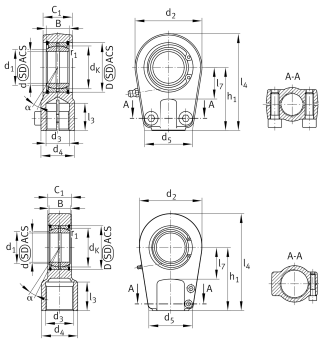


**GIHRK90-DO**

## Rod end

Hydraulic rod end, with thread clamping device, right hand thread, requiring maintenance, sliding contact surface: steel/steel, open design

## Technical information



## Your current product variant

Clampable	Clampable	
Maintenance	Maintenance required	
Lubrication nipple	DIN71412-AM6 (tapered grease nipple)	
Slotted	Slotted, one side	
Thread Pitch	Right-hand thread	
Sealing	Without	
Mounting	Internal thread	
Radial internal clearance	CN (Group N)	Normal internal clearance

## Main Dimensions &amp; Performance Data

$C_r$	635.000 N	Basic dynamic load rating, radial
$C_{0r}$	980.000 N	Basic static load rating, radial
d	90 mm	Bore diameter bearing
$d_2$	206 mm	Outer eye diameter
$l_4$	322 mm	Total length internal thread head
D	130 mm	Outside diameter bearing
B	60 mm	Width inner ring
≈m	22 kg	Weight



## Dimensions

$\alpha$	5 °	Tilt angle
C <sub>1</sub>	65 mm	Width of the rod end
C <sub>2</sub>	60 mm	Width
d <sub>K</sub>	115 mm	Ball diameter
d <sub>3</sub>	M100x2	Thread size
d <sub>4</sub>	124 mm	Shank diameter
d <sub>5</sub>	180 mm	Shank diameter, large
d <sub>7</sub>	M20x60	Diameter screw clamp
h <sub>1</sub>	210 mm	Shank Length Internal thread head
l <sub>3</sub>	95 mm	Thread length Internal thread
l <sub>7</sub>	90 mm	Distance drilling with/shaft start
d <sub>UT</sub>	-0,02 mm	Bore diameter bearing, lower tolerance
d <sub>T</sub>	0,02	Bore diameter bearing, tolerance
d <sub>OT</sub>	0 mm	Bore diameter bearing, upper tolerance
B <sub>UT</sub>	-0,2 mm	Width inner ring, lower tolerance
B <sub>OT</sub>	0 mm	Width inner ring, upper tolerance
M <sub>A</sub>	385 Nm	Tightening torque
G <sub>r</sub>	CN	Radial Clearance
G <sub>rmin</sub>	0,036 mm	Radial clearance, minimum
G <sub>rmax</sub>	0,142 mm	Radial clearance, maximum

## Mounting dimensions

r <sub>1smin</sub>	1 mm	Edge Spacing
d <sub>1</sub>	98,1 mm	Outer flange diameter inner ring

## Temperature range

T <sub>min</sub>	-60 °C	Operating temperature min.
T <sub>max</sub>	200 °C	Operating temperature max.



### Characteristics

---



Radial load



Axial load in one direction



Axial load in two directions



Grease Lubrication



Not sealed



Static angular error and misalignment



Dynamic angular error and misalignment