

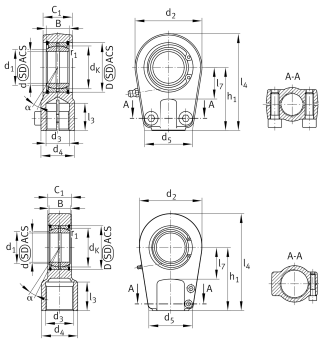


GIHRK80-DO [↗](#)

Rod end

Hydraulic rod end, with thread clamping device, right hand thread, requiring maintenance, sliding contact surface: steel/steel, open design

Technical information



Your current product variant

Clampable	Clampable	
Maintenance	Maintenance required	
Lubrication nipple	DIN71412-AM6 (tapered grease nipple)	
Slotted	Slotted, one side	
Thread Pitch	Right-hand thread	
Sealing	Without	
Mounting	Internal thread	
Radial internal clearance	CN (Group N)	Normal internal clearance

Main Dimensions & Performance Data

C_r	522.000 N	Basic dynamic load rating, radial
C_{0r}	670.000 N	Basic static load rating, radial
d	80 mm	Bore diameter bearing
d_2	176 mm	Outer eye diameter
l_4	265 mm	Total length internal thread head
D	120 mm	Outside diameter bearing
B	55 mm	Width inner ring
$\approx m$	14,6 kg	Weight



Dimensions

α	6 °	Tilt angle
C ₁	60 mm	Width of the rod end
d _K	105 mm	Ball diameter
d ₃	M80x2	Thread size
d ₄	105 mm	Shank diameter
d ₅	160 mm	Shank diameter, large
d ₇	M20x55	Diameter screw clamp
h ₁	170 mm	Shank Length Internal thread head
l ₃	80 mm	Thread length Internal thread
l ₇	80 mm	Distance drilling with/shaft start
d _{UT}	-0,015 mm	Bore diameter bearing, lower tolerance
d _T	0,015	Bore diameter bearing, tolerance
d _{OT}	0 mm	Bore diameter bearing, upper tolerance
B _{UT}	-0,15 mm	Width inner ring, lower tolerance
B _{OT}	0 mm	Width inner ring, upper tolerance
M _A	535 Nm	Tightening torque
G _r	CN	Radial Clearance
G _{rmin}	0,055 mm	Radial clearance, minimum
G _{rmax}	0,142 mm	Radial clearance, maximum

Mounting dimensions

r _{1smin}	1 mm	Edge Spacing
d ₁	89,4 mm	Outer flange diameter inner ring

Temperature range

T _{min}	-60 °C	Operating temperature min.
T _{max}	200 °C	Operating temperature max.



Characteristics



Radial load



Axial load in one direction



Axial load in two directions



Grease Lubrication



Not sealed



Static angular error and misalignment



Dynamic angular error and misalignment