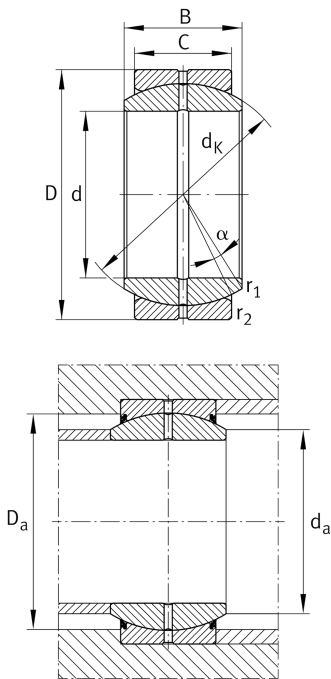


**GE45-DO-E**

## Spherical plain bearing

Standard performance Radial spherical plain bearing, requiring maintenance, sliding contact surface: steel/steel, DIN ISO 12240-1, dimension series E, open design

## Technical information

**Your current product variant**

|                           |   |
|---------------------------|---|
| Maintenance               | Maintenance required  |
| Material                  | Steel   |
| Sealing                   | Without   |
| Radial internal clearance | CN (Group N) Normal internal clearance  |
| Coating                   | Durotect M Inner- and outer ring coated with Durotect M (Manganese Phosphate) |

**Main Dimensions & Performance Data**

|                 |           |                                   |
|-----------------|-----------|-----------------------------------|
| d               | 45 mm     | Bore diameter bearing             |
| D               | 68 mm     | Outside diameter bearing          |
| B               | 32 mm     | Width inner ring                  |
| C <sub>r</sub>  | 128.000 N | Basic dynamic load rating, radial |
| C <sub>0r</sub> | 638.000 N | Basic static load rating, radial  |
| ≈m              | 0,41 kg   | Weight                            |

**Mounting dimensions**

|                    |         |                               |
|--------------------|---------|-------------------------------|
| r <sub>1smin</sub> | 0,6 mm  | Edge Spacing                  |
| r <sub>2smin</sub> | 1 mm    | Edge Spacing                  |
| d <sub>a max</sub> | 50,7 mm | Connection measure Inner ring |
| D <sub>a min</sub> | 56,4 mm | Housing Connection Diameter   |



## Dimensions

|                   |             |  |
|-------------------|-------------|--|
| C                 | 25 mm       | Width Outer ring                       |
| d <sub>K</sub>    | 60 mm       | Ball diameter                          |
| α                 | 7 °         | Tilt angle                             |
| d <sub>OT</sub>   | 0 mm        | Bore diameter bearing, upper tolerance |
| d <sub>UT</sub>   | -0,012 mm   | Bore diameter bearing, lower tolerance |
| D <sub>OT</sub>   | 0 mm        | Outside diameter, upper tolerance      |
| D <sub>UT</sub>   | -0,013 mm   | Outside diameter, lower tolerance      |
| B <sub>OT</sub>   | 0 mm        | Width inner ring, upper tolerance      |
| B <sub>UT</sub>   | -0,12 mm    | Width inner ring, lower tolerance      |
| C <sub>OT</sub>   | 0 mm        | Width outer ring, upper tolerance      |
| C <sub>UT</sub>   | -0,3 mm     | Width outer ring, lower tolerance      |
| G <sub>r</sub>    | 0,06 - 0,12 | Radial Clearance                       |
| G <sub>rmax</sub> | 0,12 mm     | Radial clearance, maximum              |
| G <sub>rmin</sub> | 0,06 mm     | Radial clearance, minimum              |

## Temperature range

|                  |        |                            |
|------------------|--------|----------------------------|
| T <sub>min</sub> | -60 °C | Operating temperature min. |
| T <sub>max</sub> | 200 °C | Operating temperature max. |

## Characteristics

|   |  |
|---|--|
|  | Radial load                            |
|  | Axial load in one direction            |
|  | Axial load in two directions           |
|  | Grease Lubrication                     |
|  | Sealed on both sides                   |
|  | Static angular error and misalignment  |
|  | Dynamic angular error and misalignment |